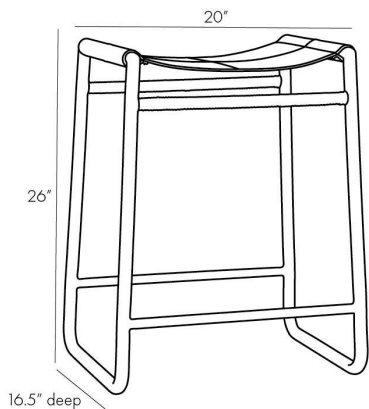


ARTERIOS

GASPER COUNTER STOOL



4878

Indigo, Leather

A marriage of form and function, this counter stool has a refined meets rustic vibe. An indigo leather seat lends an organic touch to the modern style of its antique brass frame. The top stretchers on either side have been wrapped with matching leather to create cohesiveness. The unrestricting design of no back or arms creates a minimalist profile, which makes this ideal to tuck under a counter. Finish and leather may vary.

APPEARANCE

| | |
|------------------|-------------------------------|
| Materials | Leather, Leather, Brass |
| Finishes | Indigo, Indigo, Antique Brass |
| Finish Will Vary | Yes |
| Top Coat/Sealant | No |

DIMENSIONS

| | |
|------------|----------------------------------|
| Overall | W: 20 in x D: 16.5 in x H: 26 in |
| Foot Print | W: 20 in x D: 16.5 in |
| Clearance | H: 6 in |
| Seat | W: 18 in x D: 13 in |

SHIPPING

| | |
|----------------|--------------------------------------|
| Product Weight | 13.23 lbs |
| Gross Weight 1 | 27.0 lbs |
| Shipping Box 1 | W: 29.0 in x D: 21.0 in x H: 25.0 in |

ADDITIONAL INFO

| | |
|--------------------|--------------|
| Fabric Composition | 100% Leather |
|--------------------|--------------|

CONTRACT

| | |
|------------------------------|----------------------------|
| Contract Suitability | Contract Suitable As Is |
| Contract Textile Suitability | High Traffic/Public Spaces |