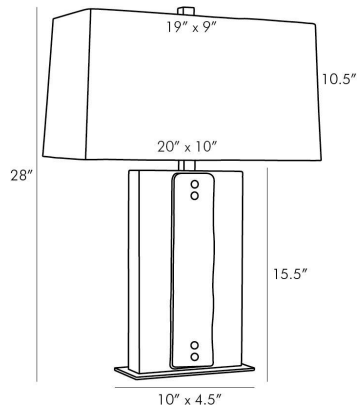


ARTERIOS

URIAH TABLE LAMP



49280-429
White, Alabaster

Let the Uriah lamp elevate your table top to museum status. A thick, seedy slumped glass in a smoke luster finish cascades down the front of a snow marble wall to create this functional showpiece. The use of mixed materials that shape this rectangular form brings a refined organic element to a space. Topped with a rectangle off-white microfiber shade with off-white cotton lining and a matching metal finial. Finish will vary.

APPEARANCE

Materials	Alabaster, Glass, Microfiber, Cotton
Finishes	White, Smoke Luster, Off-White, Off-White
Finish Will Vary	Yes
Top Coat/Sealant	Yes

DIMENSIONS

Overall	W: 20 in x D: 10 in x H: 28 in
Harp Size	H: 9.5 in

WIRING

Wire Rating	Indoor Only
Cord	10 FT, Clear/Silver, SPT-2
Socket	1, Type A- E26, 3-Way
Suggested Bulb Type	A19
Switch	At Socket, 3-Way Rotary
Maximum Wattage	150.0
Voltage	110-120 V

CERTIFICATIONS & COMPLIANCY

Certifications	Middle East, European Union, United Kingdom, Australia, Mexico, United States, Canada
Compliance	RoHS, UL/ETL, CB

SHIPPING

Product Weight	28.5 lbs
Gross Weight 1	28.5 lbs
Gross Weight 2	5 lbs
Shipping Box 1	W: 26.0 in x D: 9.0 in x H: 14.0 in
Shipping Box 2	W: 14 in x D: 24 in x H: 15 in

CONTRACT

Contract Suitability	Contract Suitable As Is
Tilt Test Degrees	10 Degrees