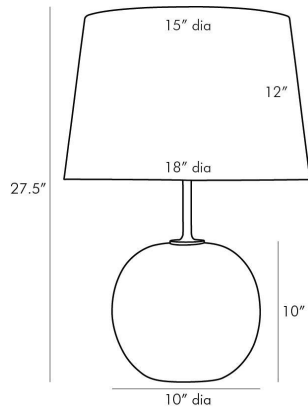


# ARTERIOS

## COLTON TABLE LAMP



49361-355  
Ivory, Ricestone

Presenting a polished but modest profile the Colton exceeds expectations with refined materials and sophisticated style. An exaggerated antique brass stem reveals an oversized white orb foundation composed of rice stone. A functional art piece in its simplest form for traditional and modern settings. Topped with an ivory microfiber drum shade with ivory cotton lining and a 1" brass sphere finial. Finish will vary.

### APPEARANCE

|                  |   |
|------------------|---|
| Materials        | Ricestone, Steel, Microfiber, Cotton, Steel       |
| Finishes         | Ivory, Antique Brass, Ivory, Ivory, Antique Brass |
| Finish Will Vary | Yes   |
| Top Coat/Sealant | No  |

### DIMENSIONS

|              |                           |
|--------------|---------------------------|
| Overall      | Dia: 18.0 in x H: 27.5 in |
| Foot Print   | Dia: 6.0 in               |
| Body         | Dia: 10.0 in x H: 10 in   |
| Shade Top    | Dia: 15.0 in              |
| Shade Side   | H: 12 in                  |
| Shade Bottom | Dia: 18.0 in              |
| Harp Size    | H: 10 in                  |
| Neck         | Dia: 1.0 in x H: 6 in     |

### WIRING

|                     |                           |
|---------------------|---------------------------|
| Wire Rating         | Indoor Only               |
| Cord                | 8 FT, Clear/Silver, SPT-2 |
| Socket              | 1, Type A- E26, 3-Way     |
| Suggested Bulb Type | A19                       |
| Switch              | At Socket, 3-Way Rotary   |
| Maximum Wattage     | 150.0                     |
| Voltage             | 110-120 V                 |

### CERTIFICATIONS & COMPLIANCY

|                |   |
|----------------|---|
| Certifications | Middle East, European Union, United Kingdom, Australia, Mexico, United States, Canada |
| Compliance     | RoHS, UL/ETL, CB  |

### SHIPPING

|                |                                      |
|----------------|--------------------------------------|
| Product Weight | 29.0 lbs                             |
| Gross Weight 1 | 29.0 lbs                             |
| Gross Weight 2 | 2.5 lbs                              |
| Shipping Box 1 | W: 17.0 in x D: 17.0 in x H: 24.0 in |
| Shipping Box 2 | W: 22.0 in x D: 22.0 in x H: 16.0 in |

### CONTRACT

|                      |                         |
|----------------------|-------------------------|
| Contract Suitability | Contract Suitable As Is |
| Tilt Test Degrees    | 10 Degrees              |

### REPLACEMENT PARTS

49361FIN