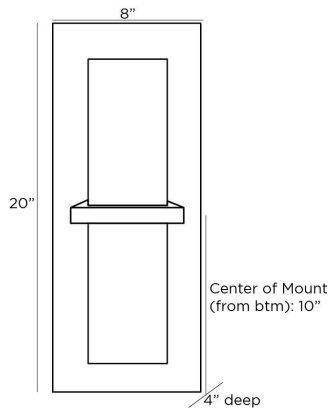


# ARTERIO RS

## REDMOND WALL SCONCE



49525  
Antique Brass, Iron

With a design fashioned to resemble a jewelry setting, our faceted, white alabaster Redmond sconce creates an organic glow through the natural stone. The alabaster shade is mounted to a plate of antique brass iron and accented with a matching decorative metal band. Finish will vary. Certified for damp locations and intended for interior use.

### APPEARANCE

Materials	Iron, Iron, Alabaster
Finishes	Antique Brass, Antique Brass, White
Finish Will Vary	Yes
Top Coat/Sealant	Yes

### DIMENSIONS

Overall	W: 8 in x D: 4 in x H: 20 in
Backplate	W: 8 in x D: 0.25 in x H: 20 in
Center of Mount from Bottom	H: 10 in
Mount	W: 7.5 in x H: 19.5 in

### WIRING

Wire Rating	Damp
Cord	0.5 FT, Black/White, SVT
Socket	2, Type B - E12
Suggested Bulb Type	T6
Maximum Wattage	8.0
Voltage	110-120 V

### CERTIFICATIONS & COMPLIANCY

Certifications	Mexico, United States, Canada
Compliance	RoHS, UL/ETL

### SHIPPING

Product Weight	10.5 lbs
Gross Weight 1	14.5 lbs
Shipping Box 1	W: 7.7 in x D: 10.25 in x H: 22.0 in

### CONTRACT

Contract Suitability	Contract Suitable As Is
----------------------	-------------------------