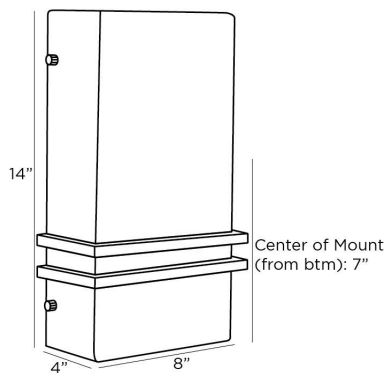


ARTERIOS

RONAN WALL SCNCE



49531
White, Onyx

The Ronan celebrates the luxury and inherent beauty of white onyx. The box-constructed, paneled sconce features antique brass iron bar detailing. Finish will vary. Certified for damp locations and intended for interior use.

APPEARANCE

Materials	Onyx, Onyx, Iron
Finishes	White, White, Antique Brass
Finish Will Vary	Yes
Top Coat/Sealant	Yes

DIMENSIONS

Overall	W: 8 in x D: 4 in x H: 14 in
Backplate	W: 5.5 in x D: 1 in x H: 12.5 in
Center of Mount from Bottom	H: 7 in
Mount	W: 5 in x D: 1 in x H: 12 in

WIRING

Wire Rating	Damp
Cord	0.5 FT, Black/White, SVT
Socket	2, Type B - E12
Suggested Bulb Type	LED ONLY
Maximum Wattage	8.0
Voltage	110-120 V

CERTIFICATIONS & COMPLIANCY

Certifications	Mexico, United States, Canada
Compliance	RoHS, UL/ETL

SHIPPING

Product Weight	11.0 lbs
Gross Weight 1	15.0 lbs
Shipping Box 1	W: 10.5 in x D: 13.8 in x H: 29.0 in

ADDITIONAL INFO

Features	ADA
----------	-----

CONTRACT

Contract Suitability	Contract Suitable As Is
----------------------	-------------------------