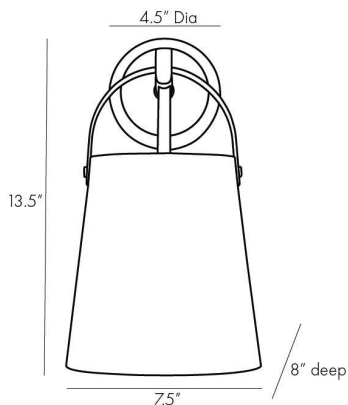


ARTERIOS

IAN WALL SCONCE



49717
Antique Brass, Steel

Simple design meets equestrian elegance with the Ian. An antique brass circular steel backplate acts as a hook to present a classic white linen shade. The shade is suspended by an English bronze steel strap that was inspired by stirrups, lending a cavalier appeal to this piece. Showcase solo next to a bedside or hang in multiples for a more masculine approach. Certified for damp locations and intended for interior use.

APPEARANCE

Materials	Steel, Steel, Steel, Linen, Steel
Finishes	Antique Brass, Antique Brass, English Bronze, White, Antique Brass
Finish Will Vary	No
Top Coat/Sealant	No

DIMENSIONS

Overall	W: 7.5 in x D: 8 in x H: 13.5 in
Backplate	D: 1 in x Dia: 4.5 in
Shade Side	H: 8 in
Wall Sconce Hanging Orientation	Vertical Only

WIRING

Wire Rating	Damp
Cord	1 FT, Black/White, SVT
Socket	1, Type A - E26
Suggested Bulb Type	A19
Maximum Wattage	100.0
Voltage	110-120 V

CERTIFICATIONS & COMPLIANCY

Certifications	Middle East, European Union, United Kingdom, Australia, Mexico, United States, Canada
Compliance	RoHS, UL/ETL, CB

SHIPPING

Product Weight	1.98 lbs
Gross Weight 1	3.53 lbs
Shipping Box 1	W: 13.0 in x D: 9.25 in x H: 11.0 in

CONTRACT

Contract Suitability	Contract Suitable As Is
----------------------	-------------------------

REPLACEMENT PARTS

49717SHD