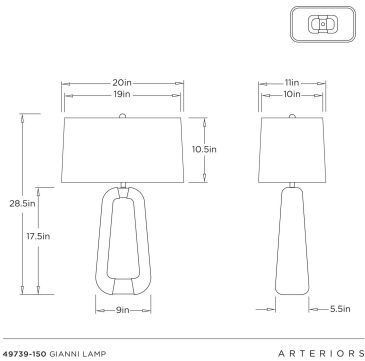


# ARTERIOS

## GIANNI TABLE LAMP



49739-150  
Graphite, Ricestone

The equestrian-inspired shape of this lamp is more contemporary than cavalier, though it's just as mount worthy. A graphite ricestone composite is met with steel antique brass breaks that physically divide but visually unite the mixed-material foundation. Adds a modern luxe and organic touch to a space. Topped with a rectangular white linen drum shade with white cotton lining and a matching ricestone finial. Complete with a taupe cloth cord. Finish will vary.

### APPEARANCE

Materials	Ricestone, Ricestone, Steel, Steel, Cotton, Linen
Finishes	Graphite, Graphite, Antique Brass, Antique Brass, White, White
Finish Will Vary	Yes
Top Coat/Sealant	No

### DIMENSIONS

Overall	W: 20 in x D: 11 in x H: 28.5 in
Body	W: 9 in x D: 5 in x H: 18 in
Shade Top	W: 19 in x D: 10 in
Shade Side	H: 10 in
Shade Bottom	W: 20 in x D: 11 in
Harp Size	H: 9.5 in

### WIRING

Wire Rating	Indoor Only
Cord	10 FT, Taupe Fabric, SPT-2
Socket	1, Type A - E26
Suggested Bulb Type	A19
Switch	At Socket, 3-Way Rotary
Maximum Wattage	150.0
Voltage	110-120 V

### CERTIFICATIONS & COMPLIANCY

Certifications	Middle East, European Union, United Kingdom, Mexico, United States, Canada
Compliance	RoHS, UL/ETL, CB

### SHIPPING

Product Weight	22.0 lbs
Gross Weight 1	24.0 lbs
Gross Weight 2	5.0 lbs
Shipping Box 1	W: 13.0 in x D: 8.25 in x H: 26.0 in
Shipping Box 2	W: 13.0 in x D: 22.0 in x H: 14.5 in

### CONTRACT

Contract Suitability	Contract Suitable As Is
Tilt Test Degrees	8 Degrees