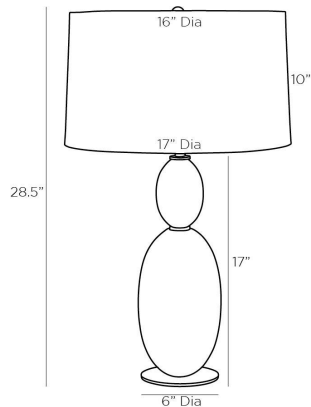


ARTERIOS

MINATO TABLE LAMP



49759-580
Ivory, Glass Stone

Hollywood glam inspired, the feminine silhouette of the Minato is formed by a mixed-material construction of stacked ivory glass stone and clear crystal on an antique brass steel base. Topped with an off-white microfiber drum shade with off-white cotton lining and an antique brass sphere finial. Finish will vary.

APPEARANCE

Materials	Glass Stone, Glass Stone, Crystal, Steel, Microfiber, Cotton
Finishes	Ivory, Ivory, Clear, Antique Brass, Off-White, Off-White
Harp Finish	Brass
Finish Will Vary	Yes
Top Coat/Sealant	Yes

DIMENSIONS

Overall	Dia: 17.0 in x H: 28.5 in
Foot Print	Dia: 6.0 in
Base	Dia: 6.0 in x H: 0.25 in
Body	Dia: 6.5 in x H: 17 in
Shade Top	Dia: 16.0 in
Shade Side	H: 10 in
Shade Bottom	Dia: 17.0 in
Harp Size	H: 8.5 in
Neck	Dia: 1.0 in x H: 1.5 in

WIRING

Wire Rating	Indoor Only
Cord	8 FT, Taupe Fabric, SPT-2
Socket	1, Type A - E26
Suggested Bulb Type	A19
Switch	At Socket, 3-Way Rotary
Maximum Wattage	150.0
Voltage	110-120 V

CERTIFICATIONS & COMPLIANCY

Certifications	Middle East, European Union, United Kingdom, Mexico, United States, Canada
Compliance	RoHS, UL/ETL, CB

SHIPPING

Product Weight	29.67 lbs
Gross Weight 1	26.67 lbs
Gross Weight 2	5.0 lbs
Shipping Box 1	W: 10.0 in x D: 10.0 in x H: 25.0 in
Shipping Box 2	W: 19.0 in x D: 19.0 in x H: 12.0 in

CONTRACT

Contract Suitability	Contract Suitable As Is
Tilt Test Degrees	10 Degrees

REPLACEMENT PARTS

81002