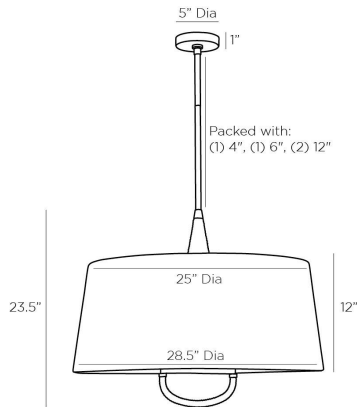


ARTERIOS

MIDDLEBURY PENDANT



49789
Natural, Cotton

The Middlebury pairs feminine form and masculine materials to create the distinct design of this pendant. The unique, rustic style of the shade is crafted from natural cotton string with a white linen lining and a matching diffuser, concealing six lights but exposing a brown leather-wrapped decorative handle — balancing differing tones and textures. Suspended from an antique brass steel pipe and complete with a taupe cloth cord. Finish will vary. Additional pipe available (PIPE-422). Certified for damp locations and intended for interior use.

APPEARANCE

| | |
|------------------|---|
| Materials | Cotton, Cotton, Leather, Linen, Steel, Steel, Steel |
| Finishes | Natural, Natural, Brown, White, Antique Brass, Antique Brass, Antique Brass |
| Finish Will Vary | Yes |
| Top Coat/Sealant | Yes |

DIMENSIONS

| | |
|-------------------------------------|---------------------------|
| Overall | Dia: 28.5 in x H: 28.5 in |
| Canopy | Dia: 5.0 in x H: 1 in |
| Pendant | Dia: 28.5 in x H: 23.5 in |
| Overall Hanging Height as Sold (in) | 28.5 in - 58.5 in |

WIRING

| | |
|---------------------|-------------------------|
| Wire Rating | Damp |
| Cord | 10 FT, Black/White, SVT |
| Socket | 6, Type B - E12 |
| Suggested Bulb Type | T6 |
| Maximum Wattage | 60.0 |
| Voltage | 110-120 V |

CERTIFICATIONS & COMPLIANCY

| | |
|----------------|---|
| Certifications | Middle East, European Union, United Kingdom, Australia, Mexico, United States, Canada |
| Compliance | RoHS, UL/ETL, CB |

SHIPPING

| | |
|----------------|------------------------------------|
| Product Weight | 13.5 lbs |
| Gross Weight 1 | 22.5 lbs |
| Shipping Box 1 | W: 31.5 in x D: 31.5 in x H: 15 in |

ADDITIONAL INFO

| | |
|----------|-------------|
| Features | Sustainable |
|----------|-------------|

CONTRACT

| | |
|----------------------|-------------------------|
| Contract Suitability | Contract Suitable As Is |
|----------------------|-------------------------|

SLOPE CEILING COMPATIBILITY

| | |
|---------------------------|-----------------------------|
| Sloped Ceiling Compatible | Yes, with purchase of pivot |
|---------------------------|-----------------------------|

COMPONENTS

| | |
|------------------------|-------------------------------|
| Pipe or Chain Included | (1) 4", (1) 6", (2) 12" Pipes |
|------------------------|-------------------------------|

ADDITIONAL PARTS AVAILABLE

| | |
|-----------|-------------------------|
| PIPE-422 | (1) 4", (1) 6", (1) 12" |
| PIVOT-203 | |

REPLACEMENT PARTS

| | |
|------------|--|
| CANOPY-596 | |
|------------|--|