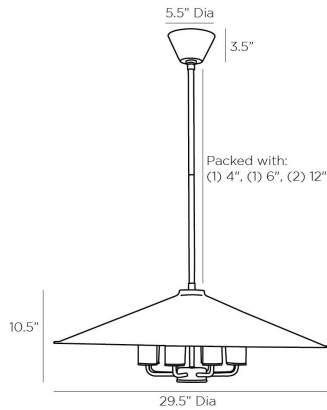


# ARTERIO RS

## MANCHESTER PENDANT



49790  
English Bronze, Steel

The Manchester takes inspiration from traditional pendant design and modernizes it with rich materials. An English bronze steel foundation is matched with an antique brass-plated interior for a stark but stylish contrast. The slim but wide shade exposes eight lights, each encased by a white alabaster sleeve for a more elevated look. Additional pipe available (PIPE-487). Certified for damp locations and intended for interior use.

### APPEARANCE

Materials	Steel, Steel, Alabaster, Steel, Steel
Finishes	English Bronze, English Bronze, Antique Brass, White, English Bronze, English Bronze
Finish Will Vary	No
Top Coat/Sealant	Yes

### DIMENSIONS

Overall	Dia: 29.5 in x H: 19.5 in
Canopy	Dia: 5.5 in x H: 3 in
Pendant	Dia: 29.5 in x H: 10.5 in
Overall Hanging Height as Sold (in)	49.5 in - 19.5 in

### WIRING

Wire Rating	Damp
Cord	10 FT, Black/White, SVT
Socket	8, Type B - E12
Suggested Bulb Type	G16.5
Maximum Wattage	40.0
Voltage	110-120 V

### CERTIFICATIONS & COMPLIANCY

Certifications	Middle East, European Union, United Kingdom, Australia, Mexico, United States, Canada
Compliance	RoHS, UL/ETL, CB

### SHIPPING

Product Weight	15.0 lbs
Gross Weight 1	28.0 lbs
Shipping Box 1	W: 32.0 in x D: 32.0 in x H: 13.5 in

### CONTRACT

Contract Suitability	Contract Suitable As Is
----------------------	-------------------------

### SLOPE CEILING COMPATIBILITY

Sloped Ceiling Compatible	Yes, with purchase of pivot
---------------------------	-----------------------------

### COMPONENTS

Pipe or Chain Included	(1) 4", (1) 6", (2) 12" Pipes
------------------------	-------------------------------

### ADDITIONAL PARTS AVAILABLE

PIPE-487	(1) 4", (1) 6", (1) 12"
PIVOT-204	

### REPLACEMENT PARTS

49790SLV	
CANOPY-597	