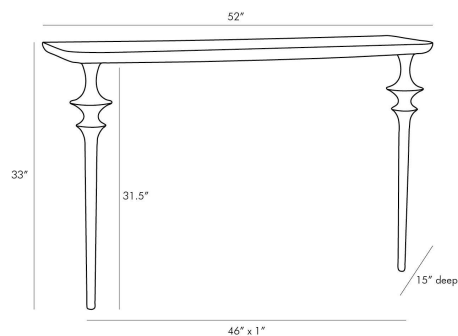


ARTERIOS

VILLEGAS CONSOLE



5367
Sable, Oak Wood

Brilliant in form, this elegant console delivers high style and simplicity all at once. The solid oak frame and delicate silhouette are enhanced by the deep sable finish. A minimalist approach to traditional design, this piece masters timeless style without impeding on a room's space. Item must be attached to the wall.

APPEARANCE

| | |
|------------------|----------|
| Materials | Oak Wood |
| Finishes | Sable |
| Finish Will Vary | No |
| Top Coat/Sealant | No |

DIMENSIONS

| | |
|------------|--------------------------------|
| Overall | W: 52 in x D: 15 in x H: 33 in |
| Foot Print | W: 46 in x D: 1 in |

SHIPPING

| | |
|-----------------------|--------------------------------------|
| Shipping Requirements | Truck Ship |
| Product Weight | 23.0 lbs |
| Gross Weight 1 | 33.5 lbs |
| Shipping Box 1 | W: 18.0 in x D: 55.0 in x H: 12.0 in |

ADDITIONAL INFO

| | |
|----------------|-----------------------|
| Features | Anti-Tip Kit Included |
| Base/Foot Type | Glides |

CONTRACT

| | |
|----------------------|-----------------------------------|
| Contract Suitability | Contract Suitable With Conditions |
| Contract Conditions | Add Security Cleat |

SWATCHES

SB2X2 2x2 Swatch: Sable Oak