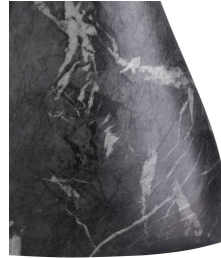
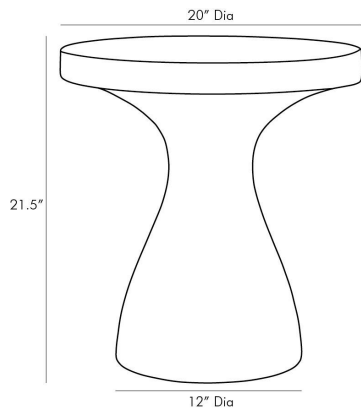


ARTERIO RS

SERAFINA ACCENT TABLE



5586
Black Faux Marble, Concrete
Composite

Tricky like trompe l'oeil this stunning table has a secret—though it looks to be made completely of stone lift it and you'll discover it's much lighter in weight. Made from lightweight concrete its black marble-like façade is made in a process called hydrographics. Since the process is done individually each piece will have a look that varies slightly in veining and color scale.

APPEARANCE

Materials	Concrete Composite
Finishes	Black Faux Marble
Finish Will Vary	Yes
Top Coat/Sealant	No

DIMENSIONS

Overall	Dia: 20.0 in x H: 21.5 in
Foot Print	Dia: 12.0 in

SHIPPING

Shipping Requirements	Truck Ship
Product Weight	56.0 lbs
Gross Weight 1	62.6 lbs
Shipping Box 1	W: 23.7 in x D: 23.7 in x H: 26.4 in

ADDITIONAL INFO

Base/Foot Type	Felt Pads
----------------	-----------

CONTRACT

Contract Suitability	Contract Suitable As Is
----------------------	-------------------------

SWATCHES

BCSW 4x4 Swatch: Black Concrete