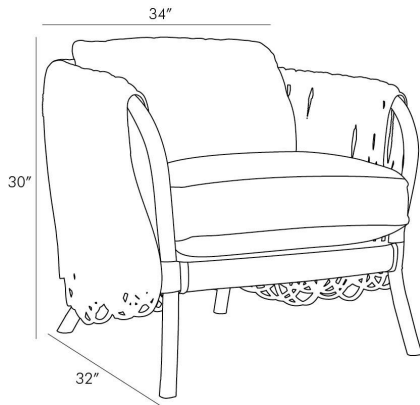


ARTERIOS

STRATA LOUNGE CHAIR



5590
Oyster, Leather

All of the incredible qualities of rattan are prevalent in this handsome chair. The core is made by using bent rattan poles formed into a comfortable curvature that hugs you while you're sitting. Thick square-cut strips of rattan are looped to create the intricate overlapping pattern that wraps the entire frame. Its organic aesthetic is modernized in a deep black finish. Oyster leather cushions add a level of luxury.

APPEARANCE

Materials	Leather, Rattan
Finishes	Oyster, Black
Finish Will Vary	Yes
Top Coat/Sealant	No

DIMENSIONS

Overall	W: 34 in x D: 32 in x H: 30 in
Foot Print	W: 34 in x D: 32 in
Arm	H: 28 in
Seat	W: 26 in x D: 24 in x H: 21 in

SHIPPING

Shipping Requirements	Truck Ship
Product Weight	39.0 lbs
Gross Weight 1	40.0 lbs
Shipping Box 1	W: 38.0 in x D: 34.0 in x H: 36.0 in

ADDITIONAL INFO

Fabric Certification	NFPA-260, TB117-2013
Fabric Composition	100% Leather
Fabric Cleaning Code	Leather Cleaner
Reupholstery Requirements	81 Square Feet 4.5 Yards

CONTRACT

Contract Suitability	Contract Suitable With Conditions
Contract Conditions	Not for use in high traffic/public spaces
Contract Textile Suitability	High Traffic/Public Spaces

SWATCHES

T23SW 4x4 Swatch: Oyster Leather