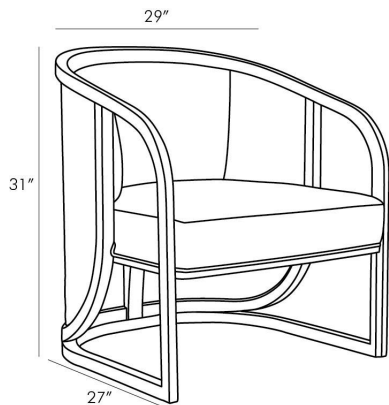


# ARTERIOS

## FORTUNA LOUNGE CHAIR



5593  
Flax, Linen

We've taken the conventional design of traditional cane lounge chairs and updated it with deco-inspired swooping lines and a rattan inset herringbone weave. Its barrel back and linen cushion creates comfort and delivers a timeless style. The smoke finished oak and rattan frame with the warm hue of the seat imparts a visually appealing, classic aesthetic on this practical piece. Adds a touch of Old World elegance.

### APPEARANCE

Materials	Linen, Oak Wood, Rattan
Finishes	Flax, Smoke, Smoke
Finish Will Vary	Yes
Top Coat/Sealant	No

### DIMENSIONS

Overall	W: 29 in x D: 27 in x H: 31 in
Foot Print	W: 28 in x D: 27 in
Arm	H: 26 in
Seat	W: 26 in x D: 22 in x H: 17 in

### SHIPPING

Shipping Requirements	Special Handling Required
Product Weight	43.0 lbs
Gross Weight 1	66.0 lbs
Shipping Box 1	W: 34.9 in x D: 33.1 in x H: 33.1 in

### ADDITIONAL INFO

Fabric Certification	Barrier Cloth used for TB117-2013 and NFPA-260
Fabric Composition	55% Linen, 45% Cotton
Fabric Wear Abrasion	20,000
Reupholstery Requirements	3 Yards

### CONTRACT

Contract Suitability	Contract Suitable With Conditions
Contract Conditions	Not for use in high traffic/public spaces
Contract Textile Suitability	Low Traffic/Private Spaces

### SWATCHES

L11SW 4x4 Swatch: Flax Linen