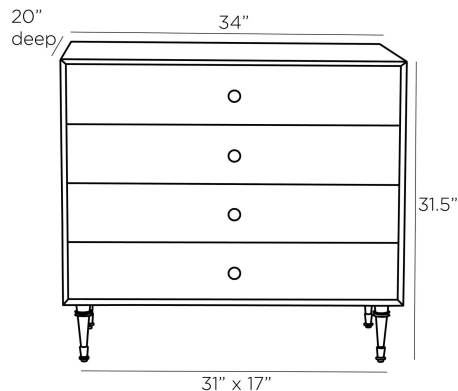


ARTERIOS

MELBOURNE CHEST



5686
Ebony, Walnut Veneer

The Melbourne delivers style and function with refined simplicity. This handsome chest of drawers showcases a walnut veneer in an ebony finish and antique brass pull and accents on the legs. The four-drawer construction is reminiscent of an architect's flat filing cabinet or printmaker's cabinet. Finish will vary.

APPEARANCE

Materials	Walnut Veneer, Walnut Veneer, Brass
Finishes	Ebony, Ebony, Antique Brass
Finish Will Vary	Yes
Top Coat/Sealant	Yes

DIMENSIONS

Overall	W: 34 in x D: 20 in x H: 31.5 in
Foot Print	W: 31 in x D: 17 in
Leg	H: 6 in
Drawer Exterior	W: 33 in x D: 1 in x H: 6 in
Drawer Interior	W: 30.5 in x D: 15 in x H: 3.5 in
Diagonal Dimensions	W: 37.5 in

SHIPPING

Shipping Requirements	Special Handling Required
Product Weight	160.0 lbs
Gross Weight 1	180.0 lbs
Shipping Box 1	W: 34.45 in x D: 23.23 in x H: 37.4 in

CONTRACT

Contract Suitability	Contract Suitable As Is
----------------------	-------------------------

REPLACEMENT PARTS

5686HNDL

SWATCHES

EWWSW2x2 Swatch: Ebony Walnut Wood