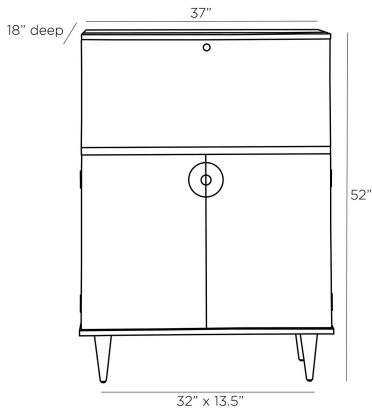


ARTERIOS

MANHATTAN COCKTAIL CABINET



5688
Toffee Burl, Camelina Veneer

Modern Classicism is realized in the fine furniture piece we call the Manhattan. This cocktail cabinet is crafted of matchbook burl wood in a toffee finish with a camelina crotch veneer application to provide a radial pattern that spans the surface, creating a movement of tones and textures. Vintage brass pull unveils a wine bottle and glass storage on the left and a soft-magnetic closure drawer with storage below on the right. The top is fitted with a key lock that opens up to a lined shelf and a black lacquer for an added touch of functionality and form. Wood will

APPEARANCE

Materials	Camelina Veneer, Camelina Veneer, Brass, Lacquer
Finishes	Toffee Burl, Toffee Burl, Vintage Brass, Black
Finish Will Vary	Yes
Top Coat/Sealant	Yes

DIMENSIONS

Overall	W: 37 in x D: 18 in x H: 52 in
Foot Print	W: 32 in x D: 13.5 in
Leg	H: 8 in
Drawer Interior	W: 15.5 in x D: 13.5 in x H: 2.5 in
Cabinet Interior	W: 18.5 in x D: 16.5 in x H: 25.5 in
Shelf	W: 17 in x D: 16 in
Hutch	W: 35.5 in x D: 16.5 in x H: 15.5 in
Diagonal Dimensions	W: 55 in

SHIPPING

Shipping Requirements	Special Handling Required
Product Weight	206 lbs
Gross Weight 1	275 lbs
Shipping Box 1	W: 54.53 in x D: 22.05 in x H: 40.16 in

ADDITIONAL INFO

Features	Anti-Tip Kit Included
----------	-----------------------

CONTRACT

Contract Suitability	Contract Suitable As Is
----------------------	-------------------------

REPLACEMENT PARTS

5688KEY
SHELFPIN2
5687FOOT

SWATCHES

TBWSW 2x2 Swatch: Toffee Burl Wood