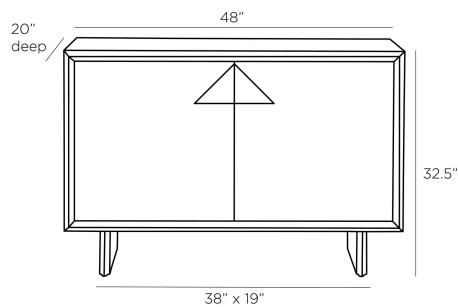


ARTERIOS

NAOMI CABINET



5689
Smoke, Oak Veneer

Classic craftsmanship and modern details create this unique cabinet known as the Naomi. Crafted from oak veneer, it is finished in smoke and accented with vintage brass hardware. A marquetry triangle pattern of wood grain has been applied to the veneer, mimicking the triangular pulls and creating cohesiveness throughout the design. Inside the double door cabinet lies an adjustable shelf. Wood will vary.

APPEARANCE

Materials	Oak Veneer, Oak Veneer, Brass
Finishes	Smoke, Smoke, Vintage Brass
Finish Will Vary	Yes
Top Coat/Sealant	Yes

DIMENSIONS

Overall	W: 48 in x D: 20 in x H: 32.5 in
Foot Print	W: 38 in x D: 19 in
Leg	H: 8 in
Shelf	W: 46.5 in x D: 15.5 in
Diagonal Dimensions	W: 38.5 in

SHIPPING

Shipping Requirements	Special Handling Required
Product Weight	140.0 lbs
Gross Weight 1	160.0 lbs
Shipping Box 1	W: 35.43 in x D: 23.03 in x H: 51.18 in

ADDITIONAL INFO

Features	Anti-Tip Kit Included
----------	-----------------------

CONTRACT

Contract Suitability	Contract Suitable As Is
----------------------	-------------------------

REPLACEMENT PARTS

SHELFPIN1
5687FOOT

SWATCHES

SM2X2 2x2 Swatch: Smoke Oak