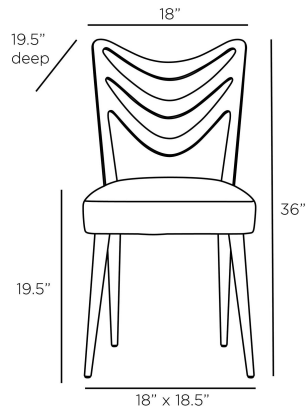


ARTERIOS

SUTTON DINING CHAIR



5769
Ebony, Wood

Taking a cue from Art Nouveau linework, the Sutton is striking around any dining table. The classic ladder-back style is redesigned with a dipped wishbone silhouette and tapered legs. The dining chair is constructed of ebony mahogany, pillowed in neutral white muslin for recovering. Finish will vary.

APPEARANCE

Materials	Wood, Wood, Muslin
Finishes	Ebony, Ebony, White
Finish Will Vary	Yes
Top Coat/Sealant	No

DIMENSIONS

Overall	W: 18 in x D: 19.5 in x H: 36 in
Foot Print	W: 18 in x D: 18.5 in
Leg	H: 15 in
Seat Back	H: 14.5 in
Seat	W: 18 in x D: 19.5 in x H: 19.5 in
Diagonal Dimensions	W: 41.5 in

SHIPPING

Shipping Requirements	Truck Ship
Product Weight	11.0 lbs
Gross Weight 1	23.1 lbs
Shipping Box 1	W: 38.5 in x D: 24.0 in x H: 22.0 in

ADDITIONAL INFO

Fabric Composition	100% Cotton
Fabric Wear Abrasion	5,000
Reupholstery Requirements	1 Yard
Base/Foot Type	Glides

CONTRACT

Contract Suitability	Contract Suitable With Conditions
Contract Conditions	Not for use in high traffic/public spaces
Contract Textile Suitability	Not Contract Suitable