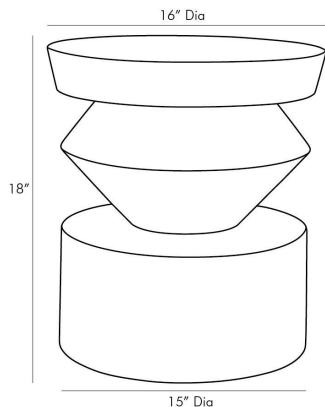


# ARTERIO RS

## UMA ACCENT TABLE



5778  
Paprika, Fiberglass

A blend of contemporary and modern design can be found in our Uma accent table. The dynamic accent table imparts a spinning-top effect, with a flattened disc shape that hovers between the table's smooth top and its thick drum base. A rich paprika lacquer finish delivers a sleek shine and a fresh dose of color.

### APPEARANCE

Materials	Fiberglass
Finishes	Paprika
Finish Will Vary	No
Top Coat/Sealant	No

### DIMENSIONS

Overall	Dia: 16.0 in x H: 18 in
Foot Print	Dia: 15.0 in

### SHIPPING

Product Weight	31.0 lbs
Gross Weight 1	33.0 lbs
Shipping Box 1	W: 18.7 in x D: 18.7 in x H: 21.0 in

### ADDITIONAL INFO

Base/Foot Type	Felt Pads
----------------	-----------

### CONTRACT

Contract Suitability	Contract Suitable With Conditions
Contract Conditions	For an additional fee, a clear, protective coating can be added

### SWATCHES

PKLSW 4x4 Swatch: Paprika Lacquer