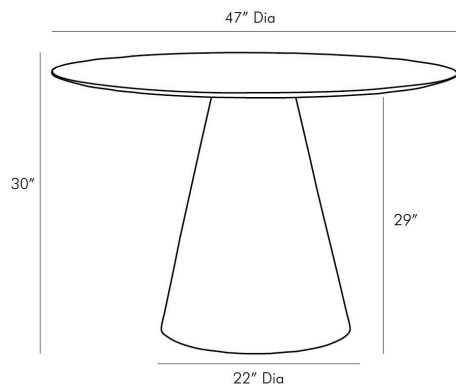


ARTERIOS

THEODORE ENTRY TABLE



6855
Sandlasted Ebony, Wood

Traditional design and mixed materials compose the clean-lined silhouette of our Theodore entry table. A round, gray solid marble top is fashioned to a tapered wood base that has been sandblasted in an ebony finish. The beveled edge of the marble top adds depth and dimension, while the dark stain of the finish accentuates the wood's natural textures. The natural composition and its height makes it a modern dining table. For a smaller version, see our Theodore end table (6852). Marble may vary

APPEARANCE

Materials	Wood, Marble
Finishes	Sandlasted Ebony, Gray Nimbus
Finish Will Vary	Yes
Top Coat/Sealant	No

DIMENSIONS

Overall	Dia: 47.0 in x H: 30 in
---------	-------------------------

SHIPPING

Shipping Requirements	Truck Ship
Product Weight	180.0 lbs
Gross Weight 1	40.8 lbs
Gross Weight 2	166.5 lbs
Shipping Box 1	W: 26.0 in x D: 26.0 in x H: 32.0 in
Shipping Box 2	W: 6.0 in x D: 53.0 in x H: 53.0 in

CONTRACT

Contract Suitability	Contract Suitable With Conditions
Contract Conditions	Natural stone requires periodic sealing, For an additional fee, a clear, protective coating can be added