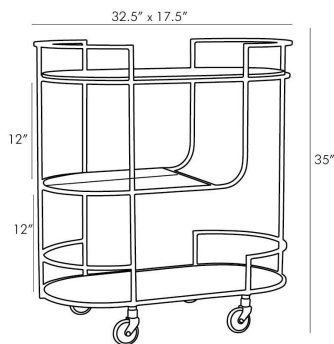


# ARTERIOS

## TRAINOR BAR CART



6857  
Antique Brass, Iron

Serve your guests without forfeiting function or style. Crafted with an iron frame in an antique brass finish, each of the three tiers of this capsule-shaped bar cart features a different element. The top tier is inset with solid white marble, the second tier is inset with clear glass and the third tier is inset with mirrored glass. The use of mixed materials delivers a luxe visual appeal. finish will vary.

### APPEARANCE

Materials	Iron, Glass, Marble
Finishes	Antique Brass, Clear, White
Finish Will Vary	Yes
Top Coat/Sealant	No

### DIMENSIONS

Overall	W: 32.5 in x D: 17.5 in x H: 35 in
Shelf	W: 18.5 in

### SHIPPING

Shipping Requirements	Truck Ship
Product Weight	76.0 lbs
Gross Weight 1	116.0 lbs
Shipping Box 1	W: 28.0 in x D: 41.0 in x H: 43.0 in

### ADDITIONAL INFO

Shelf Count	3
-------------	---

### CONTRACT

Contract Suitability	Contract Suitable With Conditions
Contract Conditions	Natural stone requires periodic sealing, For an additional fee, a clear, protective coating can be added