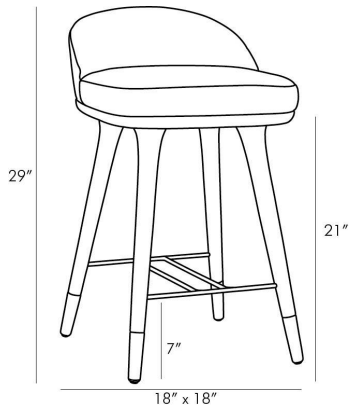


WALSH COUNTER STOOL



6865
Black, Leather

Form meets function as modern meets traditional with this counter stool. The black leather seat lends a contemporary touch to the traditional style of the solid walnut-finish wood legs, while an antique brass stretcher adds support and acts as an accent to the dark façade. Featuring a low back and no arms, the minimalist profile of this piece makes it ideal for tucking under a counter. Finish and leather may vary.

APPEARANCE

Materials	Leather, Wood, Brass
Finishes	Black, Walnut, Antique Brass
Finish Will Vary	Yes
Top Coat/Sealant	No

DIMENSIONS

Overall	W: 18 in x D: 18 in x H: 29 in
Foot Print	W: 17 in x D: 16 in
Seat Cushion Thickness	H: 4 in
Seat	W: 18 in x D: 15.5 in x H: 25 in

SHIPPING

Shipping Requirements	Truck Ship
Product Weight	17.0 lbs
Gross Weight 1	33.75 lbs
Shipping Box 1	W: 25.0 in x D: 27.0 in x H: 35.0 in

ADDITIONAL INFO

Fabric Composition	100% Leather
Reupholstery Requirements	9 Square Feet 0.5 Yards

CONTRACT

Contract Suitability	Contract Suitable With Conditions
Contract Conditions	For an additional fee, a clear, protective coating can be added
Contract Textile Suitability	High Traffic/Public Spaces

SWATCHES

T45SW 4x4 Swatch: Black Leather