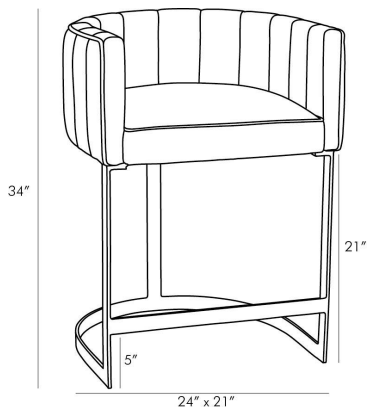


ARTERIOS

TATUM COUNTER STOOL



6884
Morel, Leather

Drawing on the modernity of contemporary design, our Tatum counter stool showcases a modish yet timeless profile. The top-grain morel leather in combination with an antique brass modernizes the half-circle shape that echoes the design of traditional tub-style chairs.

APPEARANCE

Materials	Leather, Brass
Finishes	Morel, Antique Brass
Finish Will Vary	Yes
Top Coat/Sealant	No

DIMENSIONS

Overall	W: 24 in x D: 21 in x H: 34 in
Foot Print	W: 24 in x D: 21 in
Seat Back	H: 8 in
Seat	W: 20 in x D: 19.5 in x H: 24 in

SHIPPING

Shipping Requirements	Truck Ship
Product Weight	42.0 lbs
Gross Weight 1	58.5 lbs
Shipping Box 1	W: 25.0 in x D: 28.0 in x H: 34.0 in

ADDITIONAL INFO

Fabric Certification	NFPA-260, TB117-2013
Fabric Composition	100% Leather
Fabric Cleaning Code	S - dry clean only
Reupholstery Requirements	36 Square Feet 2 Yards

CONTRACT

Contract Suitability	Contract Suitable As Is
Contract Textile Suitability	High Traffic/Public Spaces

SWATCHES

T15SW 4x4 Swatch: Morel Leather