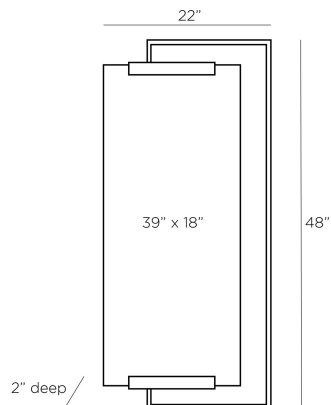


ARTERIOS

PRINCETON MIRROR



6985
Natural Iron, Iron

The architectural Princeton mirror is at once minimalist and statement-making. The industrial-style mirror is gripped into place by an offset, clamp-style frame made of forged natural iron. The mirror can be hung vertically or horizontally, and is fitted with a security cleat for hanging.

APPEARANCE

| | |
|------------------|-----------------------------------|
| Materials | Iron, Iron, Mirror |
| Finishes | Natural Iron, Natural Iron, Plain |
| Finish Will Vary | No |
| Top Coat/Sealant | No |

DIMENSIONS

| | |
|---------------|-------------------------------|
| Overall | W: 22 in x D: 2 in x H: 48 in |
| Actual Mirror | W: 18 in x H: 39 in |

SHIPPING

| | |
|-----------------------|-------------------------------------|
| Shipping Requirements | Truck Ship |
| Product Weight | 32.0 lbs |
| Gross Weight 1 | 67.2 lbs |
| Shipping Box 1 | W: 31.0 in x D: 9.0 in x H: 55.0 in |

ADDITIONAL INFO

| | |
|-----------------|---------------------------|
| Features | T-Screw Hardware Included |
| Hanger Position | All Four Directions |

CONTRACT

| | |
|----------------------|-------------------------|
| Contract Suitability | Contract Suitable As Is |
|----------------------|-------------------------|