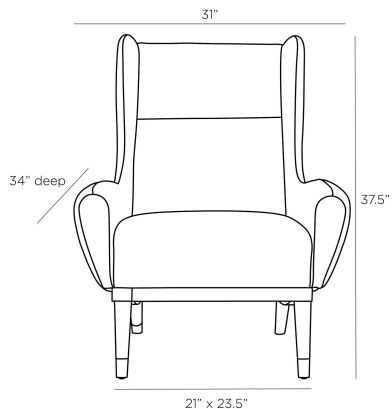


ARTERIOS

OPHELIA LOUNGE CHAIR FOSSIL



8123
Fossil, Tweed

The traditional silhouette of the wingback chair gets a mid-century modern update. Slighter wings, a swooping back curve and gracious arm lines maintain the elegance of the wingback style, with a modern twist. Fossil tweed, tapered dark walnut wood legs and antique brass iron-capped feet give the chair even more elevated styling. Fabric and finish will vary.

APPEARANCE

Materials	Tweed, Tweed, Wood, Iron Sheet
Finishes	Fossil, Fossil, Dark Walnut, Antique Brass
Finish Will Vary	Yes
Top Coat/Sealant	No

DIMENSIONS

Overall	W: 31 in x D: 34 in x H: 37.5 in
Foot Print	W: 21 in x D: 23.5 in
Arm	W: 4.5 in x D: 22 in x H: 21.5 in
Leg	H: 8.5 in
Seat Back	H: 20.5 in
Seat	W: 20.5 in x D: 21 in x H: 18 in

SHIPPING

Shipping Requirements	Special Handling Required
Product Weight	50.0 lbs
Gross Weight 1	65.0 lbs
Shipping Box 1	W: 38.0 in x D: 35.0 in x H: 40.0 in

ADDITIONAL INFO

Fabric Certification	NFPA-260, TB117-2013
Fabric Composition	100% Polyester
Fabric Cleaning Code	S - dry clean only
Fabric Wear Abrasion	40,000
Reupholstery Requirements	4.1 Yards

CONTRACT

Contract Suitability	Contract Suitable As Is
Contract Textile Suitability	Low Traffic/Private Spaces

REPLACEMENT PARTS

8123REPLBSE

SWATCHES

X14SW 4x4 Swatch: Fossil Tweed