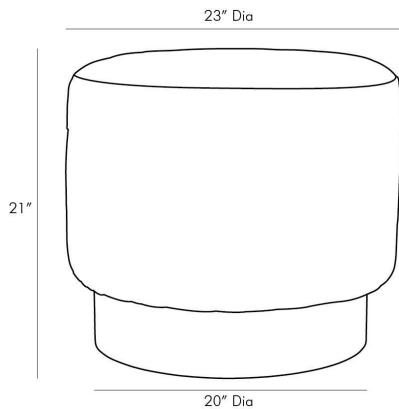


ARTERIOS

AVALON OTTOMAN PERSIMMON



8140
Persimmon, Velvet

Elegant yet daring this oversized drum-style ottoman brims with style. We've upholstered it in a Persimmon Velvet and fashioned it to a sleek champagne steel plinth that swivels for a touch of visual—and functional—drama. The trend-forward fabric makes this a great accent piece for any room.

APPEARANCE

Materials	Velvet, Velvet, Steel
Finishes	Persimmon, Persimmon, Champagne
Finish Will Vary	No
Top Coat/Sealant	No

DIMENSIONS

Overall	Dia: 23.0 in x H: 21 in
Foot Print	Dia: 20.0 in

SHIPPING

Product Weight	34.5 lbs
Gross Weight 1	37.0 lbs
Shipping Box 1	W: 25.0 in x D: 25.0 in x H: 23.0 in

ADDITIONAL INFO

Fabric Certification	NFPA-260, TB117-2013
Fabric Composition	74% Cotton, 26% Polyester
Fabric Cleaning Code	S - dry clean only
Fabric Wear Abrasion	150,000
Reupholstery Requirements	1.5 Yards
Base/Foot Type	360 Swivel Mechanism

CONTRACT

Contract Suitability	Contract Suitable As Is
Contract Textile Suitability	High Traffic/Public Spaces

REPLACEMENT PARTS

8139BSERPL

SWATCHES

V29SW 4x4 Swatch: Persimmon Velvet