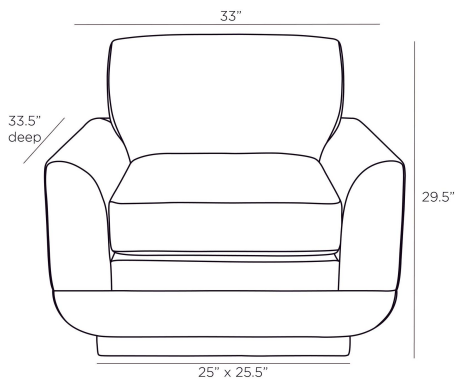


ARTERIOS

STILES LOUNGE CHAIR FLINT VELVET



8177
Flint, Velvet

The Flint lounge chair recalls the geometry of the Art Deco style and the robust proportions often seen in '70s design. With a deep, wide seat cushion, this low-profile, flint velvet lounge chair is the ideal companion for large spaces.

APPEARANCE

Materials	Velvet, Velvet
Finishes	Flint, Flint
Finish Will Vary	No
Top Coat/Sealant	No

DIMENSIONS

Overall	W: 33 in x D: 33.5 in x H: 29.5 in
Foot Print	W: 25 in x D: 25.5 in
Arm	W: 6.5 in x D: 33.5 in x H: 20 in
Seat Back	H: 14 in
Seat	W: 19.5 in x D: 22 in x H: 18.5 in

SHIPPING

Shipping Requirements	Truck Ship
Product Weight	73.0 lbs
Gross Weight 1	153.3 lbs
Shipping Box 1	W: 33.0 in x D: 34.0 in x H: 30.0 in

ADDITIONAL INFO

Fabric Certification	TB117-2013
Fabric Composition	74% Cotton, 26% Polyester
Fabric Cleaning Code	S - dry clean only
Fabric Wear Abrasion	150,000
Reupholstery Requirements	5 Yards
Base/Foot Type	Upholstered Base

CONTRACT

Contract Suitability	Contract Suitable As Is
Contract Textile Suitability	High Traffic/Public Spaces

SWATCHES

V07SW 4x4 Swatch: Flint Velvet