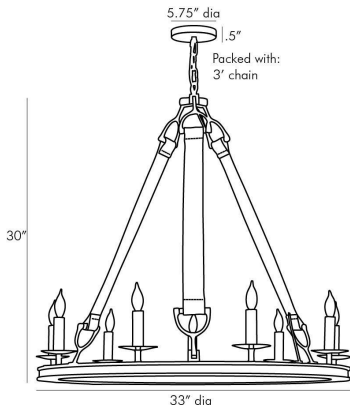


# ARTERIOS

## CHANEY CHANDELIER



84031  
Bronze, Iron

The Chaney saddles up to rustic sophistication with its unique and unparalleled style. Three brown leather bands suspend a hand-hammered iron base adorned with nine candlestick-style arms in a contrasting antique brass finish. Each leather band is accented with an antique brass detail reminiscent of bridle bits delivering an equestrian quality to its industrial form. Shown with clear bent-tip candelabra bulbs. Certified for damp locations and intended for interior use.

### APPEARANCE

Materials	Iron, Iron, Leather, Iron
Finishes	Bronze, Antique Brass, Brown, Bronze
Finish Will Vary	No
Top Coat/Sealant	No

### DIMENSIONS

Overall	Dia: 33.0 in x H: 31 in
Canopy	Dia: 5.75 in x H: 0.5 in
Chandelier	Dia: 33.0 in x H: 30 in
Overall Hanging Height as Sold (in)	67 in - 31 in

### WIRING

Wire Rating	Damp
Cord	10 FT, Clear/Silver, SVT
Socket	9, Type B--E12 Other
Suggested Bulb Type	T6
Maximum Wattage	40.0
Voltage	110-120 V

### CERTIFICATIONS & COMPLIANCY

Certifications	Mexico, United States, Canada
Compliance	RoHS, UL/ETL

### SHIPPING

Product Weight	37.5 lbs
Gross Weight 1	60.8 lbs
Shipping Box 1	W: 39.0 in x D: 39.0 in x H: 11.0 in

### CONTRACT

Contract Suitability	Contract Suitable As Is
----------------------	-------------------------

### SLOPE CEILING COMPATIBILITY

Sloped Ceiling Compatible	Yes, as is
---------------------------	------------

### COMPONENTS

Pipe or Chain Included	36"
------------------------	-----

### ADDITIONAL PARTS AVAILABLE

CHN-212	36"
---------	-----

### REPLACEMENT PARTS

CANOPY-411