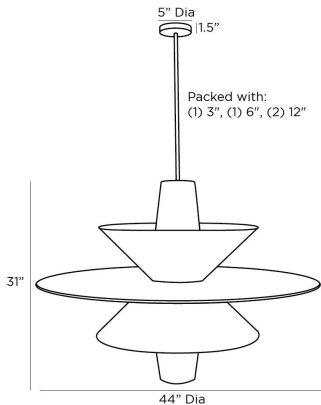


# ARTERIOS

## SHAY CHANDELIER



85037  
Natural, Raffia

Our Shay chandelier exhibits a decidedly Eastern influence, specifically Japanese paper lanterns. Here, the idea is translated in natural raffia, as a dynamic tiered design. The fixture is detailed with an antique brass iron canopy and pipes. Finish will vary.

### APPEARANCE

|                  |                                 |
|------------------|---------------------------------|
| Materials        | Raffia, Raffia, Iron            |
| Finishes         | Natural, Natural, Antique Brass |
| Finish Will Vary | Yes                             |
| Top Coat/Sealant | No                              |

### DIMENSIONS

|                                     |                         |
|-------------------------------------|-------------------------|
| Overall                             | Dia: 44.0 in x H: 38 in |
| Canopy                              | Dia: 5.0 in x H: 1 in   |
| Chandelier                          | Dia: 44.0 in x H: 31 in |
| Overall Hanging Height as Sold (in) | 38 in - 68 in           |

### WIRING

|                     |                          |
|---------------------|--------------------------|
| Wire Rating         | Indoor Only              |
| Cord                | 10 FT, Clear/Silver, SVT |
| Socket              | 1, Type A - E26          |
| Suggested Bulb Type | A19                      |
| Maximum Wattage     | 60.0                     |
| Voltage             | 110-120 V                |

### CERTIFICATIONS & COMPLIANCY

|                |   |
|----------------|---|
| Certifications | Middle East, European Union, United Kingdom, Australia, Mexico, United States, Canada |
| Compliance     | RoHS, UL/ETL, CB  |

### SHIPPING

|                       |                                       |
|-----------------------|---------------------------------------|
| Shipping Requirements | Truck Ship                            |
| Product Weight        | 11.0 lbs                              |
| Gross Weight 1        | 19.0 lbs                              |
| Shipping Box 1        | W: 43.3 in x D: 25.8 in x H: 42.12 in |

### ADDITIONAL INFO

|          |             |
|----------|-------------|
| Features | Sustainable |
|----------|-------------|

### CONTRACT

|                      |                         |
|----------------------|-------------------------|
| Contract Suitability | Contract Suitable As Is |
|----------------------|-------------------------|

### SLOPE CEILING COMPATIBILITY

|                           |            |
|---------------------------|------------|
| Sloped Ceiling Compatible | Yes, as is |
|---------------------------|------------|

### COMPONENTS

|                        |                         |
|------------------------|-------------------------|
| Pipe or Chain Included | (1) 3", (1) 6", (2) 12" |
|------------------------|-------------------------|

### ADDITIONAL PARTS AVAILABLE

|          |                 |
|----------|-----------------|
| PIPE-522 | (1) 6", (1) 12" |
|----------|-----------------|

### REPLACEMENT PARTS

CANOPY-612