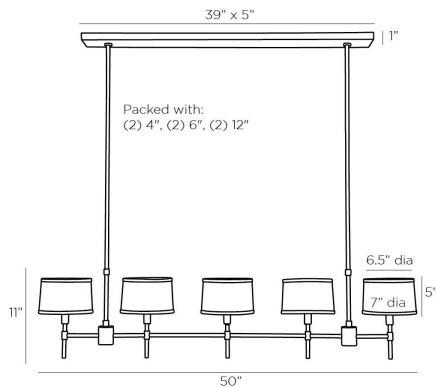


ARTERIOS

LUCIANO LINEAR CHANDELIER



89071
Bronze, Steel

Harnessing traditional elements, the Luciano is a modern classic. A bronze steel linear frame presents five lights, each topped with a white linen shade with a matching bronze band that trims the tops and bottoms of each shade. Additional pipe available (PIPE-486). Certified for damp locations and intended for interior use.

APPEARANCE

Materials	Steel, Steel, Linen, Steel, Steel
Finishes	Bronze, Bronze, White, Bronze, Bronze
Finish Will Vary	No
Top Coat/Sealant	Yes

DIMENSIONS

Overall	W: 50 in x D: 7 in x H: 16 in
Shade Top	Dia: 6.5 in
Shade Side	H: 5 in
Shade Bottom	Dia: 7.0 in
Canopy	W: 39 in x D: 5 in x H: 1 in
Chandelier	W: 50 in x D: 7 in x H: 11 in
Overall Hanging Height as Sold (in)	38 in - 16 in

WIRING

Wire Rating	Damp
Cord	10 FT, Clear/Silver, SVT
Socket	5, Type B - E12
Suggested Bulb Type	G16.5
Maximum Wattage	60.0
Voltage	110-120 V

CERTIFICATIONS & COMPLIANCY

Certifications	Mexico, United States, Canada
Compliance	RoHS, UL/ETL

SHIPPING

Product Weight	15.0 lbs
Gross Weight 1	20.0 lbs
Shipping Box 1	W: 47.44 in x D: 10.0 in x H: 11.6 in

CONTRACT

Contract Suitability	Contract Suitable As Is
----------------------	-------------------------

SLOPE CEILING COMPATIBILITY

Sloped Ceiling Compatible	Yes, with purchase of pivot
---------------------------	-----------------------------

COMPONENTS

Pipe or Chain Included	(2) 4", (2) 6", (2) 12"
------------------------	-------------------------

ADDITIONAL PARTS AVAILABLE

PIPE-486	(1) 4", (1) 6", (1) 12"
----------	-------------------------

REPLACEMENT PARTS

89071SHD
CANOPY-562