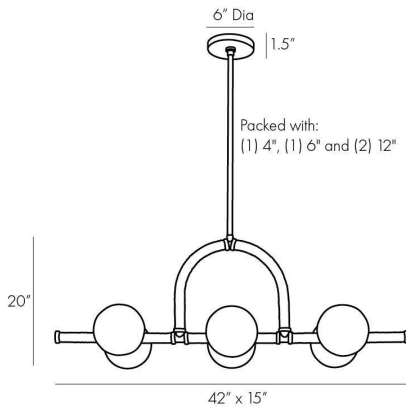


ARTERIO RS

HARRISON LINEAR CHANDELIER



89469
Heritage Brass, Steel

Minimalist and modern, the Harrison is a paradigm of linear lighting. Its lined silhouette presents six opal glass globes and is composed of heritage brass steel that has been wrapped in graphite leather. The middle of the frame features an arch that was inspired by the grand corridors of historic buildings, lending an architectural element to its straightforward design. Finish will vary. Additional pipe available (PIPE-172). Certified for damp locations and intended for interior use.

APPEARANCE

Materials	Steel, Steel, Leather, Glass, Steel
Finishes	Heritage Brass, Heritage Brass, Graphite, Opal, Heritage Brass
Finish Will Vary	Yes
Top Coat/Sealant	No

DIMENSIONS

Overall	W: 42 in x D: 15 in x H: 25 in
Globe	Dia: 6.0 in
Canopy	Dia: 6.0 in x H: 1.5 in
Chandelier	W: 42 in x D: 15 in x H: 20 in
Overall Hanging Height as Sold (in)	55 in - 25 in

WIRING

Wire Rating	Damp
Cord	10 FT, Black/White, SVT
Socket	6, Type B - E12
Suggested Bulb Type	G16.5
Maximum Wattage	25.0
Voltage	110-120 V

CERTIFICATIONS & COMPLIANCY

Certifications	Middle East, European Union, United Kingdom, Australia, Mexico, United States, Canada
Compliance	RoHS, UL/ETL, CB

SHIPPING

Product Weight	12.35 lbs
Gross Weight 1	18.3 lbs
Shipping Box 1	W: 44.3 in x D: 16.0 in x H: 11.22 in

CONTRACT

Contract Suitability	Contract Suitable As Is
----------------------	-------------------------

SLOPE CEILING COMPATIBILITY

Sloped Ceiling Compatible	Yes, with purchase of pivot
---------------------------	-----------------------------

COMPONENTS

Pipe or Chain Included	(1) 4", (1) 6", (2) 12" Pipes
------------------------	-------------------------------

ADDITIONAL PARTS AVAILABLE

PIPE-172	(1) 4", (1) 6", (1) 12"
PIVOT-208	

REPLACEMENT PARTS

CANOPY-487	
------------	--