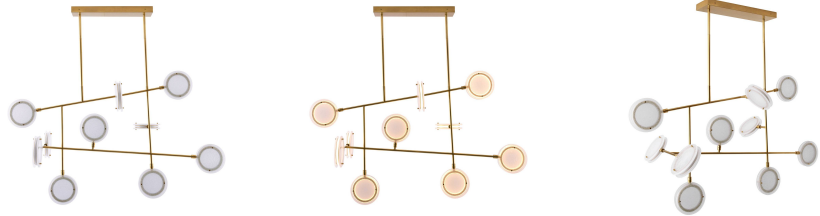
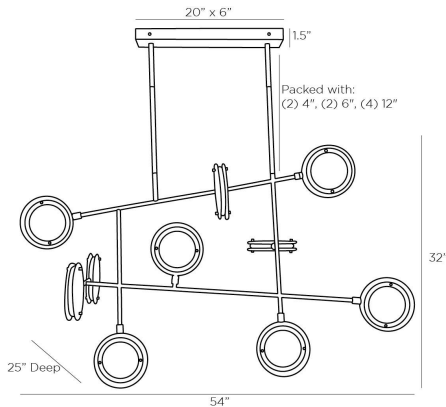


# ARTERIO RS

## MERIDIAN LINEAR CHANDELIER



89488  
Antique Brass, Iron

The Meridian finds modern design inspiration in mobile sculptures. The linear silhouette of this chandelier is crafted from antique brass iron and features discs of clear seedy slump glass at varying heights, each encased with an integrated LED ring. The discs pivot, allowing you to alter the direction of light flow when desired. Finish will vary. Additional pipe available (PIPE-492). Certified for damp locations and intended for interior use.

### APPEARANCE

Materials	Iron, Iron, Slump Glass, Iron, Iron
Finishes	Antique Brass, Antique Brass, Clear, Antique Brass, Antique Brass
Finish Will Vary	Yes
Top Coat/Sealant	Yes

### DIMENSIONS

Overall	W: 54 in x D: 25 in x H: 38 in
Canopy	W: 20 in x D: 6 in x H: 1.5 in
Pendant	W: 54 in x D: 25 in x H: 32 in
Overall Hanging Height as Sold (in)	38 in - 68 in

### WIRING

Wire Rating	Damp
Cord	7 FT, Clear/Silver, SVT
Socket	10, Integrated LED
Maximum Wattage	80.0
Voltage	110-120 V
LED Color Temperature	3000K
LED Compatible Dimmer	0-10 V Dimmer
LED CRI	90+
LED Lifespan (Hours)	20,000
Spare Driver Included	No

### CERTIFICATIONS & COMPLIANCY

Certifications	Middle East, European Union, United Kingdom, Australia, Mexico, United States, Canada
Compliance	RoHS, UL/ETL, CB

### SHIPPING

Shipping Requirements	Truck Ship
Product Weight	34.5 lbs
Gross Weight 1	50.0 lbs
Shipping Box 1	W: 36.3 in x D: 56.3 in x H: 27.6 in

### CONTRACT

Contract Suitability	Contract Suitable As Is
----------------------	-------------------------

### SLOPE CEILING COMPATIBILITY

Sloped Ceiling Compatible	No, is not compatible
---------------------------	-----------------------

### COMPONENTS

Pipe or Chain Included	(2) 4", (2) 6", (4) 12"
------------------------	-------------------------

### ADDITIONAL PARTS AVAILABLE

PIPE-492	(1) 4", (1) 6", (1) 12"
----------	-------------------------

### REPLACEMENT PARTS

89488GLS
89488SCREW
DS96W24