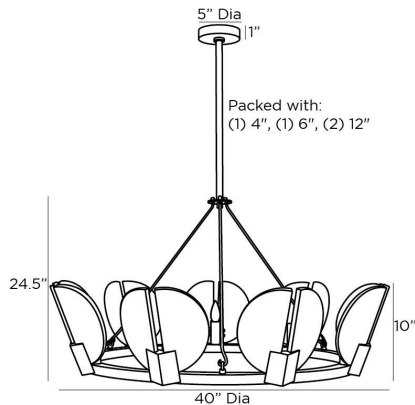


# ARTERIO RS

## SIERRA CHANDELIER



89661  
English Bronze, Steel

With Art Deco at the heart of its design, this evocative chandelier celebrates glamor and luxury. Our Sierra fixture is created in demilune-shaped slices of white alabaster, clamped together with decorative, English bronze fittings. The fan-shaped pieces encircle an English bronze frame. Finish will vary. Certified for damp locations and intended for interior use.

### APPEARANCE

|                  |                                       |
|------------------|---------------------------------------|
| Materials        | Steel, Steel, Alabaster               |
| Finishes         | English Bronze, English Bronze, White |
| Finish Will Vary | Yes                                   |
| Top Coat/Sealant | Yes                                   |

### DIMENSIONS

|                                     |                           |
|-------------------------------------|---------------------------|
| Overall                             | Dia: 40.0 in x H: 24.5 in |
| Canopy                              | Dia: 5.0 in x H: 1 in     |
| Chandelier                          | Dia: 40.0 in x H: 10 in   |
| Overall Hanging Height as Sold (in) | 54.5 in - 24.5 in         |

### WIRING

|                     |                          |
|---------------------|--------------------------|
| Wire Rating         | Damp                     |
| Cord                | 10 FT, Clear/Silver, SVT |
| Socket              | 9, Type B - E12          |
| Suggested Bulb Type | B8                       |
| Maximum Wattage     | 8.0                      |
| Voltage             | 110-120 V                |

### CERTIFICATIONS & COMPLIANCY

|                |                               |
|----------------|-------------------------------|
| Certifications | Mexico, United States, Canada |
| Compliance     | RoHS, UL/ETL                  |

### SHIPPING

|                       |                                       |
|-----------------------|---------------------------------------|
| Shipping Requirements | Truck Ship                            |
| Product Weight        | 35.5 lbs                              |
| Gross Weight 1        | 47.0 lbs                              |
| Shipping Box 1        | W: 40.35 in x D: 8.07 in x H: 40.0 in |

### CONTRACT

|                      |                         |
|----------------------|-------------------------|
| Contract Suitability | Contract Suitable As Is |
|----------------------|-------------------------|

### SLOPE CEILING COMPATIBILITY

|                           |                       |
|---------------------------|-----------------------|
| Sloped Ceiling Compatible | No, is not compatible |
|---------------------------|-----------------------|

### COMPONENTS

|                        |                               |
|------------------------|-------------------------------|
| Pipe or Chain Included | (1) 4", (1) 6", (2) 12" Pipes |
|------------------------|-------------------------------|

### ADDITIONAL PARTS AVAILABLE

|          |                         |
|----------|-------------------------|
| PIPE-512 | (1) 4", (1) 6", (1) 12" |
|----------|-------------------------|

### REPLACEMENT PARTS

|            |
|------------|
| CANOPY-585 |
|------------|