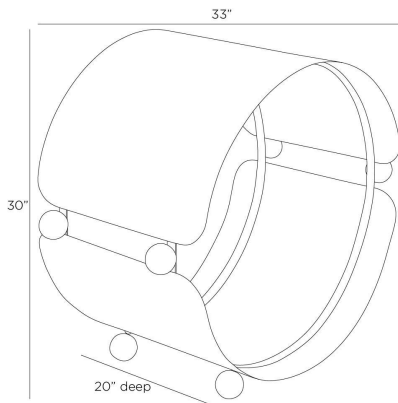


ARTERIOS

CANNON LOG HOLDER



AFI05
Blackened Iron, Iron

A traditional log holder is updated in hammered, blackened iron. Its oversized circular profile acts as enclosed storage, while contrasting spacers of sienna marble add an element of surprise. Finished with marble feet, its modernist silhouette is a work of functional art for any hearth. Finish will vary.

APPEARANCE

| | |
|------------------|------------------------|
| Materials | Iron, Marble |
| Finishes | Blackened Iron, Sienna |
| Finish Will Vary | Yes |
| Top Coat/Sealant | Yes |

DIMENSIONS

| | |
|------------|--------------------------------------|
| Overall | W: 33 in x D: 20 in x H: 30 in |
| Foot Print | W: 16 in x D: 15.5 in |
| Opening | W: 27.5 in x D: 20 in x Dia: 27.5 in |

SHIPPING

| | |
|-----------------------|--------------------------------------|
| Shipping Requirements | Truck Ship |
| Product Weight | 44.5 lbs |
| Gross Weight 1 | 61.5 lbs |
| Shipping Box 1 | W: 33.0 in x D: 33.0 in x H: 24.0 in |

CONTRACT

| | |
|----------------------|-------------------------|
| Contract Suitability | Contract Suitable As Is |
|----------------------|-------------------------|