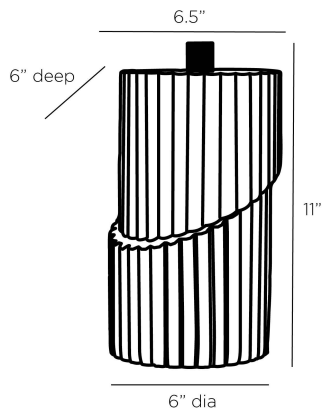


ARTERIO RS

WHITTAKER TALL CONTAINER



ARC02
Ivory, Resin

The Whittaker's grooved design, created in stacked, offset discs, offers an industrial nod reminiscent of machine gears. The contemporary cache features a contrasting, notched round knob in an antique brass finish. Carved in ivory resin, the accent is as versatile as it is style packed.

APPEARANCE

Materials	Resin, Steel
Finishes	Ivory, Antique Brass
Finish Will Vary	No
Top Coat/Sealant	No

DIMENSIONS

Overall	W: 6.5 in x D: 6 in x H: 11 in
Foot Print	Dia: 6.0 in
Opening	Dia: 4.5 in

SHIPPING

Product Weight	11.0 lbs
Gross Weight 1	12.35 lbs
Shipping Box 1	W: 14.25 in x D: 9.0 in x H: 9.9 in

CONTRACT

Contract Suitability	Contract Suitable As Is
----------------------	-------------------------