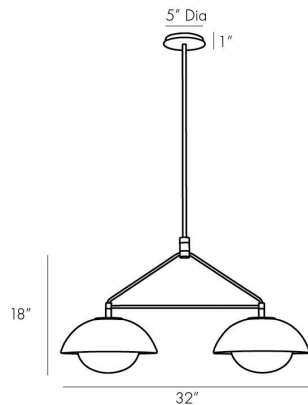


GLAZE LINEAR PENDANT

Workshop/APD



DA49001

Ivory Stained Crackle, Ceramic

The Glaze collection is an ode to hand craftsmanship, inspired by beautiful glazed tableware and ceramics that reveal the hand of the maker. The Glaze linear pendant super geometric blackened steel armature - elevated by textural knurled detailing - is paired with rounded ceramic shades in a unique ivory stained crackle glaze and soft frosted glass that casts a flattering glow. A showstopper designed to hold its own, the glaze pendant also offers endless installation possibilities when hung in multiples or with coordinating single glaze pendants for large spaces and

APPEARANCE

Materials	Ceramic, Ceramic, Steel, Glass, Steel
Finishes	Ivory Stained Crackle, Ivory Stained Crackle, Blackened Steel, Opal, Blackened Steel
Finish Will Vary	Yes
Top Coat/Sealant	No

DIMENSIONS

Overall	W: 32 in x D: 12 in x H: 45 in
Shade	Dia: 12.0 in
Canopy	Dia: 5.0 in x H: 1 in
Chandelier	W: 32 in x D: 12 in x H: 18 in
Overall Hanging Height as Sold (in)	71 in - 45 in

WIRING

Wire Rating	Damp
Cord	7 FT, Black, SVT
Socket	2, Type A - E26
Suggested Bulb Type	G16.5
Maximum Wattage	40.0
Voltage	110-120 V

CERTIFICATIONS & COMPLIANCY

Certifications	Middle East, European Union, United Kingdom, Australia, Mexico, United States, Canada
Compliance	RoHS, UL/ETL, CB

SHIPPING

Product Weight	16.0 lbs
Gross Weight 1	22.0 lbs
Shipping Box 1	W: 12.0 in x D: 25.5 in x H: 30.0 in

CONTRACT

Contract Suitability	Contract Suitable As Is
----------------------	-------------------------

SLOPE CEILING COMPATIBILITY

Sloped Ceiling Compatible	No, is not compatible
---------------------------	-----------------------

COMPONENTS

Pipe or Chain Included	(3) 26"
------------------------	---------

ADDITIONAL PARTS AVAILABLE

PIPE-465	(1) 6", (1) 12"
----------	-----------------

REPLACEMENT PARTS

DA49001CER
DA49001GLS
CANOPY-481