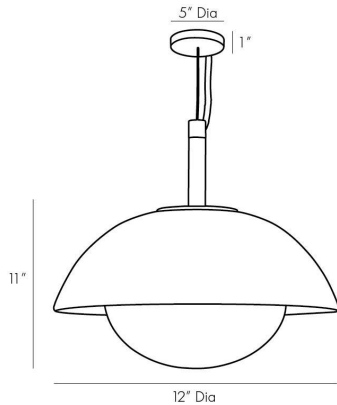


ARTERIOS

GLAZE PENDANT

Workshop/APD



DA49002
Ivory Stained Crackle, Ceramic

An ultra-versatile pendant that offers dynamic contrast through modern and seemingly handcrafted materials, light and dark hues and thoughtful detailing. The Glaze pendant's stained ivory crackled ceramic bowl shade is suspended from a knurled metal pin and woven black fabric cord. The pendant's opal frosted glass provides a soft, flattering glow that is reflected and diffused by the shade's glossy finish. Hang as a single fixture, in groupings of two or more, or pair with the Glaze linear pendant for custom installations. Certified for damp locations and intended

APPEARANCE

Materials	Ceramic, Ceramic, Steel, Glass
Finishes	Ivory Stained Crackle, Ivory Stained Crackle, Blackened Steel, Opal
Finish Will Vary	Yes
Top Coat/Sealant	No

DIMENSIONS

Overall	Dia: 12.0 in x H: 12 in
Canopy	Dia: 5.0 in x H: 1 in
Pendant	Dia: 12.0 in x H: 11 in
Overall Hanging Height as Sold (in)	102 in - 12 in

WIRING

Wire Rating	Damp
Cord	8 FT, Black Cloth, SVT
Socket	1, Type A - E26
Suggested Bulb Type	A19
Maximum Wattage	40.0
Voltage	110-120 V

CERTIFICATIONS & COMPLIANCY

Certifications	Middle East, European Union, United Kingdom, Australia, Mexico, United States, Canada
Compliance	RoHS, UL/ETL, CB

SHIPPING

Product Weight	8.0 lbs
Gross Weight 1	10.6 lbs
Shipping Box 1	W: 15.5 in x D: 16.0 in x H: 16.0 in

CONTRACT

Contract Suitability	Contract Suitable As Is
----------------------	-------------------------

SLOPE CEILING COMPATIBILITY

Sloped Ceiling Compatible	Yes, as is
---------------------------	------------

REPLACEMENT PARTS

CANOPY-482