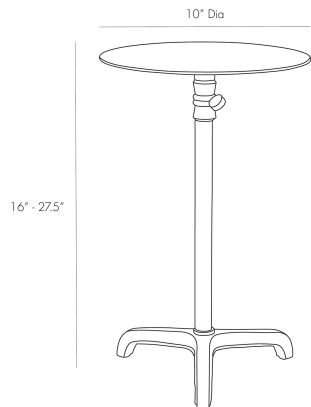


ADDISON ACCENT TABLE

Celerie Kemble



DC2011
Antique Brass, Brass

Who knew that leather and metal could make such a refined pairing? Bi-tonal finished brass forms the structure; the top has a brushed finish while the adjustable stem and accents have an antiqued golden hue. Taking a cue from fashion houses, Celerie designed the navy leather wraps to feature exposed stitching, that celebrates craftsmanship. Leather finish may vary.

APPEARANCE

Materials	Brass, Leather
Finishes	Antique Brass, Navy
Finish Will Vary	Yes
Top Coat/Sealant	Yes

DIMENSIONS

Overall	Dia: 10 in
Overall Adjustable	H: 16-27.5 in

SHIPPING

Product Weight	4.5 lbs
Gross Weight 1	6.95 lbs
Shipping Box 1	W: 5.0 in x D: 15.0 in x H: 20.0 in

CONTRACT

Contract Suitability	Contract Suitable With Conditions
Contract Conditions	For an additional fee, a clear, protective coating can be added