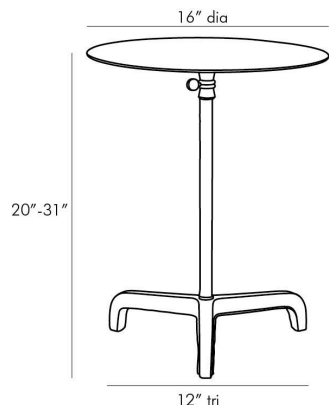


## ADDISON ACCENT TABLE

Celerie Kemble



DC2016  
Cognac, Leather

Who knew that leather and metal could make such a refined pairing? Bi-tonal finished brass forms the structure; the top has a brushed finish while the adjustable stem and accents have an antiqued golden hue. Taking a cue from fashion houses Celerie designed the cognac leather wraps to feature exposed stitching that celebrates craftsmanship.

### APPEARANCE

Materials	Leather, Brass, Leather
Finishes	Cognac, Antique Brass, Cognac
Finish Will Vary	Yes
Top Coat/Sealant	No

### DIMENSIONS

Overall	Dia: 16 in
---------	------------

### SHIPPING

Product Weight	12.5 lbs
Gross Weight 1	15.5 lbs
Shipping Box 1	W: 6.0 in x D: 21.0 in x H: 20.0 in

### CONTRACT

Contract Suitability	Contract Suitable With Conditions
Contract Conditions	For an additional fee, a clear, protective coating can be added