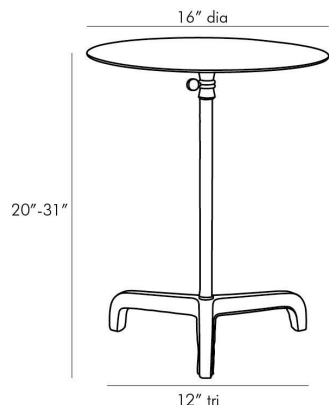


ADDISON ACCENT TABLE

Celerie Kemble



DC2017

Navy, Leather

Who knew that leather and metal could make such a refined pairing? Bi-tonal finished brass forms the structure; the top has a brushed finish while the adjustable stem and accents have an antiqued golden hue. Taking a cue from fashion houses Celerie designed the navy leather wraps to feature exposed stitching that celebrates craftsmanship.

APPEARANCE

Materials	Leather, Brass, Leather
Finishes	Navy, Antique Brass, Navy
Finish Will Vary	Yes
Top Coat/Sealant	No

DIMENSIONS

Overall	Dia: 16 in
---------	------------

SHIPPING

Product Weight	12.5 lbs
Gross Weight 1	15.5 lbs
Shipping Box 1	W: 6.0 in x D: 21.0 in x H: 20.0 in

CONTRACT

Contract Suitability	Contract Suitable With Conditions
Contract Conditions	For an additional fee, a clear, protective coating can be added