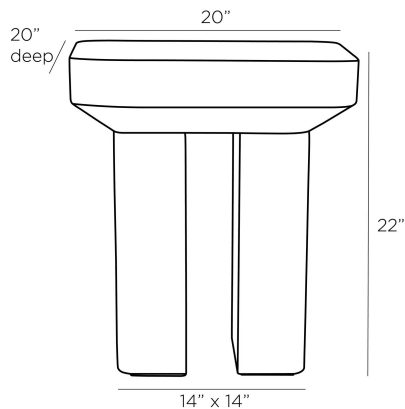


ARTERIO RS

SPIAZZO ACCENT TABLE

Jay Jeffers



DJ5017
Natural, Concrete

The form of this natural concrete table is inspired by the work of Italian architect Carlos Scarpa. It is both strong and sensual and is would make fantastic sculptural nighstands next to a bed or end table between 2 chairs.

APPEARANCE

Materials	Concrete, Concrete
Finishes	Natural, Natural
Finish Will Vary	No
Top Coat/Sealant	No

DIMENSIONS

Overall	W: 20 in x D: 20 in x H: 22 in
Foot Print	W: 14 in x D: 14 in
Leg	H: 17 in
Table Top	H: 3 in
Diagonal Dimensions	W: 28 in

SHIPPING

Shipping Requirements	Truck Ship
Product Weight	60.0 lbs
Gross Weight 1	83.77 lbs
Shipping Box 1	W: 24.0 in x D: 24.0 in x H: 26.28 in

CONTRACT

Contract Suitability	Contract Suitable As Is
----------------------	-------------------------