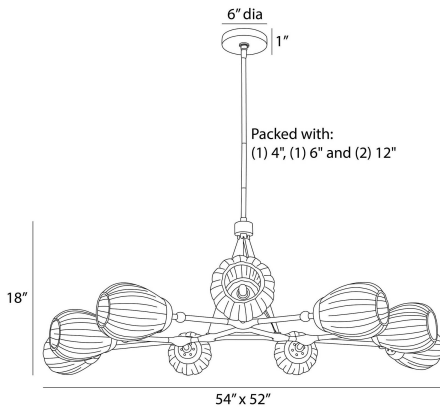


ARTERIO RS

SMYTH ROUND CHANDELIER



DLC38
Smoke Luster, Glass

This new take on our Smyth chandelier's form updates its linear and angular silhouette into a fresh, rounded shape to divert light throughout space. The smoke luster glass globes feature fluted details, which add to the vintage-inspired look. Its antique brass-plated steel structure is suspended from aircraft wire, and the branching look is centered with a triangular form for eye-catching impact. Certified for damp locations and intended for interior use.

APPEARANCE

| | |
|------------------|-----------------------------|
| Materials | Glass, Steel |
| Finishes | Smoke Luster, Antique Brass |
| Finish Will Vary | No |
| Top Coat/Sealant | Yes |

DIMENSIONS

| | |
|-------------------------------------|----------------------------------|
| Overall | W: 54 in x D: 52 in x H: 23.5 in |
| Canopy | Dia: 6.0 in x H: 1 in |
| Chandelier | W: 54 in x D: 52 in x H: 18.5 in |
| Overall Hanging Height as Sold (in) | 23.5 in - 57.5 in |

WIRING

| | |
|---------------------|--------------------------|
| Wire Rating | Damp |
| Cord | 10 FT, Clear/Silver, SVT |
| Socket | 9, Type B - E12 |
| Suggested Bulb Type | T6 |
| Maximum Wattage | 60.0 |
| Voltage | 110-120 V |

CERTIFICATIONS & COMPLIANCY

| | |
|----------------|-------------------------------|
| Certifications | Mexico, United States, Canada |
| Compliance | UL/ETL |

SHIPPING

| | |
|-----------------------|---|
| Shipping Requirements | Truck Ship |
| Product Weight | 25.5 lbs |
| Gross Weight 1 | 48.5 lbs |
| Shipping Box 1 | W: 53.15 in x D: 53.15 in x H: 10.83 in |

CONTRACT

| | |
|----------------------|-------------------------|
| Contract Suitability | Contract Suitable As Is |
|----------------------|-------------------------|

SLOPE CEILING COMPATIBILITY

| | |
|---------------------------|-----------------------|
| Sloped Ceiling Compatible | No, is not compatible |
|---------------------------|-----------------------|

COMPONENTS

| | |
|------------------------|-------------------------------|
| Pipe or Chain Included | (1) 4", (1) 6", (2) 12" Pipes |
|------------------------|-------------------------------|

ADDITIONAL PARTS AVAILABLE

| | |
|----------|-----------------|
| PIPE-206 | (1) 6", (1) 12" |
|----------|-----------------|

REPLACEMENT PARTS

| |
|----------|
| PIPE-206 |
|----------|