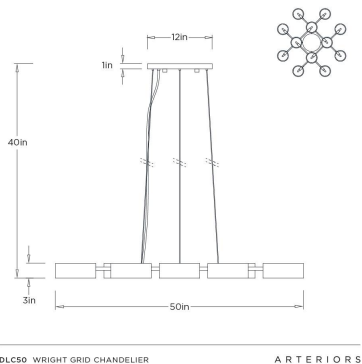


# ARTERIO RS

## WRIGHT GRID CHANDELIER



DLC50  
Antique Brass, Iron

Reinterpreting Mid-Century geometry through a modern lens; the Wright Grid Chandelier features a structured arrangement of antique brass-finished iron punctuated by white onyx diffusers. The balanced grid composition and stacked circular forms create depth and rhythm, while the warm metal finish lends a soft, ambient glow. Architectural yet refined, this chandelier makes a bold statement over dining tables or in living spaces.

### APPEARANCE

Materials	Iron, Onyx
Finishes	Antique Brass, White
Finish Will Vary	Yes
Top Coat/Sealant	No

### DIMENSIONS

Overall	W: 50 in x D: 48 in x Dia: 50 in x H: 40 in
Body	W: 50 in x D: 47.5 in
Globe	Dia: 7.5 in x H: 3 in
Canopy	Dia: 12 in x H: 1 in
Overall Hanging Height as Sold (in)	40 in

### WIRING

Wire Rating	Damp
Cord	10 FT, Clear/Silver, SVT
Socket	12, Type B=-E12 Other
Suggested Bulb Type	T6
Maximum Wattage	60
Voltage	110-120 V

### SHIPPING

Shipping Requirements	Truck Ship
Product Weight	39.7 lbs
Gross Weight 1	56.9 lbs
Shipping Box 1	W: 50 in x D: 50 in x H: 7 in

### ADDITIONAL INFO

Features	Assembly Required
----------	-------------------

### CONTRACT

Contract Suitability	Contract Suitable As Is
----------------------	-------------------------

### REPLACEMENT PARTS

DLC50DIF