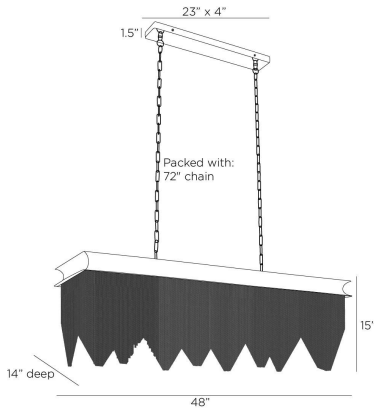


ARTERIO RS

HEIRESS LINEAR CHANDELIER



DLI03
Vintage Brass, Iron

The shapes and textures of Southwest fine jewelry inform a dazzling fixture of vintage brass-plated iron. Zig-zag antique brass chains reminiscent of a lizard's spikes deliver subtle movement and a reflective glimmer. The delicately textured vintage brass iron frame is suspended from the ceiling by dual vintage brass chains. Certified for damp locations and intended for interior use.

APPEARANCE

Materials	Iron, Iron
Finishes	Vintage Brass, Vintage Brass
Finish Will Vary	No
Top Coat/Sealant	Yes

DIMENSIONS

Overall	W: 48 in x D: 14 in x H: 18 in
Canopy	W: 23 in x D: 4 in x H: 1.5 in
Chandelier	W: 48 in x D: 14 in x H: 15 in
Overall Hanging Height as Sold (in)	54 in - 18 in

WIRING

Wire Rating	Damp
Cord	10 FT, Clear/Silver, SVT
Socket	6, Type B - E12
Suggested Bulb Type	B8
Maximum Wattage	40.0
Voltage	110-120 V

CERTIFICATIONS & COMPLIANCY

Certifications	Middle East, European Union, United Kingdom, Australia, Mexico, United States, Canada
Compliance	RoHS, UL/ETL, CB

SHIPPING

Product Weight	24.0 lbs
Gross Weight 1	38.5 lbs
Shipping Box 1	W: 17.25 in x D: 51.0 in x H: 9.0 in

CONTRACT

Contract Suitability	Contract Suitable As Is
----------------------	-------------------------

SLOPE CEILING COMPATIBILITY

Sloped Ceiling Compatible	Yes, as is
---------------------------	------------

COMPONENTS

Pipe or Chain Included	(2) 36"
------------------------	---------

ADDITIONAL PARTS AVAILABLE

CHN-302	36"
---------	-----

REPLACEMENT PARTS

CHN-302
