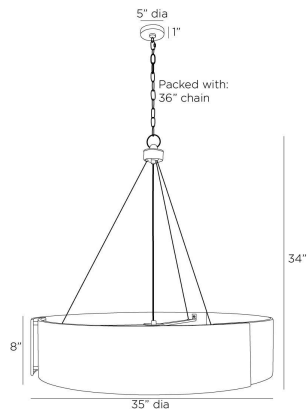


ARTERIO RS

DANTE MEDIUM CHANDELIER



DMC25
Antique Brass, Steel

Adding intrigue to simplistic design is an effortless feat with this antique brass steel version of our Dante chandelier. From the suspended pendant to the overlapping bands that form the drum shade, every design feature is fit for the spotlight. A frosted acrylic diffuser tones down the glow of five hidden bulbs.

APPEARANCE

| | |
|------------------|------------------------|
| Materials | Steel, Acrylic |
| Finishes | Antique Brass, Frosted |
| Finish Will Vary | No |
| Top Coat/Sealant | Yes |

DIMENSIONS

| | |
|-------------------------------------|-------------------------|
| Overall | Dia: 35.0 in x H: 36 in |
| Diffuser | Dia: 34.0 in |
| Canopy | Dia: 5.0 in x H: 1 in |
| Chandelier | Dia: 35.0 in x H: 8 in |
| Overall Hanging Height as Sold (in) | 72 in - 36 in |

WIRING

| | |
|---------------------|--------------------------|
| Wire Rating | Damp |
| Cord | 10 FT, Clear/Silver, SVT |
| Socket | 5, Type A - E26 |
| Suggested Bulb Type | T6 |
| Maximum Wattage | 60.0 |
| Voltage | 110-120 V |

CERTIFICATIONS & COMPLIANCY

| | |
|----------------|-------------------------------|
| Certifications | Mexico, United States, Canada |
| Compliance | RoHS, UL/ETL |

SHIPPING

| | |
|-----------------------|--------------------------------------|
| Shipping Requirements | Truck Ship |
| Product Weight | 32.0 lbs |
| Gross Weight 1 | 51.75 lbs |
| Shipping Box 1 | W: 42.0 in x D: 42.0 in x H: 18.0 in |

CONTRACT

| | |
|----------------------|-------------------------|
| Contract Suitability | Contract Suitable As Is |
|----------------------|-------------------------|

SLOPE CEILING COMPATIBILITY

| | |
|---------------------------|------------|
| Sloped Ceiling Compatible | Yes, as is |
|---------------------------|------------|

COMPONENTS

| | |
|------------------------|-----|
| Pipe or Chain Included | 36" |
|------------------------|-----|

ADDITIONAL PARTS AVAILABLE

| | |
|---------|-----|
| CHN-130 | 36" |
|---------|-----|

REPLACEMENT PARTS

CANOPY-162