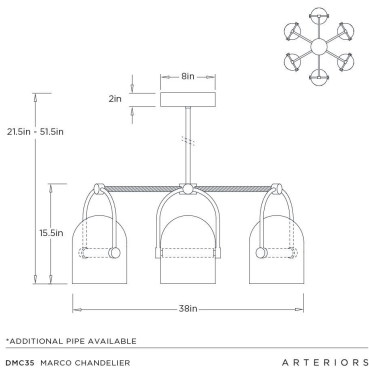


# ARTERIOS

## MARCO CHANDELIER



DMC35  
Smoke, Glass

This LED chandelier features a glass design influenced by modern equestrian style. Shades of smoke-seeded glass are bisected by tubular bulbs and held in a framework of antique brass-plated steel. Bone leather-wrapped pipes add a tailored contrast of materiality and color, offering a distinctive aesthetic. Certified for damp locations and intended for interior use. Finish will vary.

### APPEARANCE

Materials	Glass, Steel, Leather
Finishes	Smoke, Antique Brass, Bone
Finish Will Vary	Yes
Top Coat/Sealant	Yes

### DIMENSIONS

Overall	Dia: 38.0 in x H: 21.5 in
Canopy	Dia: 8.0 in x H: 2 in
Chandelier	Dia: 38.0 in x H: 15.5 in
Overall Hanging Height as Sold (in)	51.5 in - 21.5 in

### WIRING

Wire Rating	Damp
Cord	10 FT, Black/White, SVT
Socket	6, Integrated LED
Maximum Wattage	60.0
Voltage	110-120 V
LED Color Temperature	2700K
LED Compatible Dimmer	0-10 V Dimmer
LED CRI	90+
LED Lifespan (Hours)	20,000
Spare Driver Included	No

### CERTIFICATIONS & COMPLIANCY

Certifications	Mexico, United States, Canada
Compliance	RoHS, UL/ETL

### SHIPPING

Shipping Requirements	Truck Ship
Product Weight	37.2 lbs
Gross Weight 1	49.2 lbs
Shipping Box 1	W: 27.0 in x D: 29.0 in x H: 33.0 in

### CONTRACT

Contract Suitability	Contract Suitable As Is
----------------------	-------------------------

### SLOPE CEILING COMPATIBILITY

Sloped Ceiling Compatible	No, is not compatible
---------------------------	-----------------------

### ADDITIONAL PARTS AVAILABLE

PIPE-513	(1) 4", (1) 6", (1) 12"
----------	-------------------------

### REPLACEMENT PARTS

DS96W24