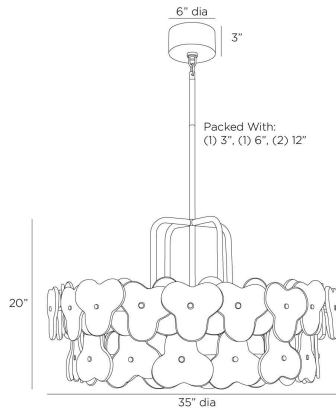


ARTERIOS

CASCADE CHANDELIER



DMI15
Clear, Glass

Inspired by the natural flow of water, clear seedy glass florets layer and overlap like a luxe puzzle. Anchored to a double drum frame of antique brass steel, their glow is refracted and reflected to deliver the feeling of movement.

APPEARANCE

Materials	Glass, Steel
Finishes	Clear, Antique Brass
Finish Will Vary	No
Top Coat/Sealant	No

DIMENSIONS

Overall	Dia: 35.0 in x H: 20 in
Canopy	Dia: 6.0 in x H: 3 in
Chandelier	Dia: 35.0 in x H: 20 in
Overall Hanging Height as Sold (in)	20 in - 53 in

WIRING

Wire Rating	Damp
Cord	10 FT, Black, SVT
Socket	3, Type A - E26
Suggested Bulb Type	G16.5
Maximum Wattage	40.0
Voltage	110-120 V

CERTIFICATIONS & COMPLIANCY

Certifications	Mexico, United States, Canada
Compliance	RoHS, UL/ETL

SHIPPING

Shipping Requirements	Truck Ship
Product Weight	81.0 lbs
Gross Weight 1	68.5 lbs
Gross Weight 2	36.6 lbs
Shipping Box 1	W: 40.0 in x D: 40.0 in x H: 15.75 in
Shipping Box 2	W: 20.0 in x D: 26.5 in x H: 13.0 in

CONTRACT

Contract Suitability	Contract Suitable As Is
----------------------	-------------------------

SLOPE CEILING COMPATIBILITY

Sloped Ceiling Compatible	No, is not compatible
---------------------------	-----------------------

COMPONENTS

Pipe or Chain Included	(1) 3", (1) 6", (2) 12"
------------------------	-------------------------

ADDITIONAL PARTS AVAILABLE

PIPE-59T	(1) 3", (1) 6", (1) 12"
----------	-------------------------

REPLACEMENT PARTS

DMI15GLSRPLLG
DMI15GLSRPLSM
DMI15SCREW
CANOPY-620