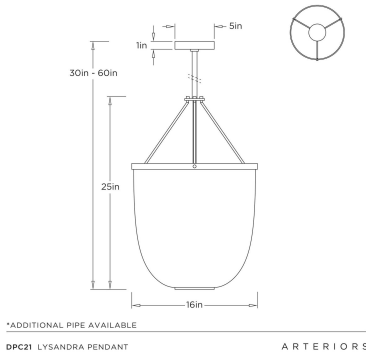


# ARTERIOS

## LYSANDRA PENDANT



DPC21  
Faux Eggshell, Iron

This traditional lantern form is finished in a dark faux eggshell with antique brass accents. Suspended by antique brass plated steel frame, pipe, and canopy. Certified for damp locations and intended for interior use.

### APPEARANCE

|                  |                              |
|------------------|------------------------------|
| Materials        | Iron, Steel                  |
| Finishes         | Faux Eggshell, Antique Brass |
| Finish Will Vary | No                           |
| Top Coat/Sealant | Yes                          |

### DIMENSIONS

|                                     |                         |
|-------------------------------------|-------------------------|
| Overall                             | Dia: 16.0 in x H: 30 in |
| Canopy                              | Dia: 5.0 in x H: 1 in   |
| Pendant                             | Dia: 16.0 in x H: 25 in |
| Overall Hanging Height as Sold (in) | 60 in - 30 in           |

### WIRING

|                     |                          |
|---------------------|--------------------------|
| Wire Rating         | Damp                     |
| Cord                | 10 FT, Clear/Silver, SVT |
| Socket              | 1, Type A - E26          |
| Suggested Bulb Type | A19                      |
| Maximum Wattage     | 60.0                     |
| Voltage             | 110-120 V                |

### CERTIFICATIONS & COMPLIANCY

|                |                               |
|----------------|-------------------------------|
| Certifications | Mexico, United States, Canada |
| Compliance     | UL/ETL                        |

### SHIPPING

|                |                                      |
|----------------|--------------------------------------|
| Product Weight | 12.0 lbs                             |
| Gross Weight 1 | 20.0 lbs                             |
| Shipping Box 1 | W: 32.0 in x D: 20.0 in x H: 20.0 in |

### CONTRACT

|                      |                         |
|----------------------|-------------------------|
| Contract Suitability | Contract Suitable As Is |
|----------------------|-------------------------|

### SLOPE CEILING COMPATIBILITY

|                           |                       |
|---------------------------|-----------------------|
| Sloped Ceiling Compatible | No, is not compatible |
|---------------------------|-----------------------|

### ADDITIONAL PARTS AVAILABLE

|          |                         |
|----------|-------------------------|
| PIPE-513 | (1) 4", (1) 6", (1) 12" |
|----------|-------------------------|

### REPLACEMENT PARTS

|            |
|------------|
| CANOPY-553 |
|------------|