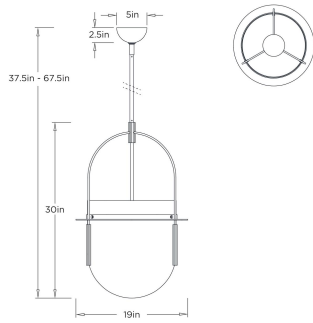


ARTERIOS

KATHLEEN LARGE PENDANT



*ADDITIONAL PIPE AVAILABLE
DPC37 KATHLEEN LARGE PENDANT ARTERIOS



DPC37
Frosted Smoke, Glass

Elegant and refined, the Kathleen Large Pendant offers a Neo-Classical take on the timeless bell jar. This fixture features a frosted smoke glass shade suspended from antique brass-plated steel with intricate ridged details. Its cup-and-pole design, inspired by traditional counterweights, creates a striking interplay of balance and proportion that elevates the room with sculptural sophistication.

APPEARANCE

| | |
|------------------|------------------------------|
| Materials | Glass, Iron |
| Finishes | Frosted Smoke, Antique Brass |
| Finish Will Vary | No |
| Top Coat/Sealant | Yes |

DIMENSIONS

| | |
|-------------------------------------|-------------------------|
| Overall | Dia: 19 in x H: 38 in |
| Body | Dia: 19 in x H: 30 in |
| Globe | Dia: 15 in x H: 16.5 in |
| Canopy | Dia: 5 in x H: 2.5 in |
| Pendant | Dia: 13.0 in x H: 20 in |
| Overall Hanging Height as Sold (in) | 37.5 in |

WIRING

| | |
|---------------------|----------------------------|
| Wire Rating | Damp |
| Cord | 10 FT, Clear/Silver, SPT-2 |
| Socket | 1, Type A - E26 |
| Suggested Bulb Type | G30 |
| Maximum Wattage | 60 |
| Voltage | 110-120 V |

CERTIFICATIONS & COMPLIANCY

| | |
|------------|------|
| Compliance | RoHS |
|------------|------|

SHIPPING

| | |
|----------------|--------------------------------|
| Product Weight | 24.3 lbs |
| Gross Weight 1 | 9.5 lbs |
| Shipping Box 1 | W: 40 in x D: 22 in x H: 22 in |

ADDITIONAL INFO

| | |
|----------|-------------------|
| Features | Assembly Required |
|----------|-------------------|

CONTRACT

| | |
|----------------------|-------------------------|
| Contract Suitability | Contract Suitable As Is |
|----------------------|-------------------------|

COMPONENTS

| | |
|------------------------|-------------------------------|
| Pipe or Chain Included | (1) 4", (1) 6", (2) 12" Pipes |
|------------------------|-------------------------------|

ADDITIONAL PARTS AVAILABLE

| | |
|----------|-------------------------|
| PIPE-504 | (1) 4", (1) 6", (1) 12" |
|----------|-------------------------|