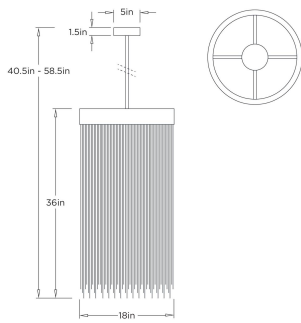


# ARTERIOS

## FATIMA LARGE PENDANT



\*ADDITIONAL PIPE AVAILABLE  
DPI18 FATIMA LARGE PENDANT ARTERIOS



DPI18  
Vintage Brass, Brass

Glamorous and refined, the Fatima Large Pendant exudes a sophisticated Hollywood Regency style. This grand-scale fixture features rows of delicate vintage brass chains that dangle artistically from a thick brass band, creating a jewelry-inspired aesthetic. When illuminated, the tassel-like design adds significant luster to a space while gently breaking up the light to cast a rhythmic, subtle shadow play across the room.

### APPEARANCE

Materials	Brass
Finishes	Vintage Brass
Finish Will Vary	Yes
Top Coat/Sealant	No

### DIMENSIONS

Overall	Dia: 18 in x H: 41 in
Body	Dia: 18 in x H: 36 in
Canopy	Dia: 5 in x H: 1.5 in
Overall Hanging Height as Sold (in)	40.5 in

### WIRING

Wire Rating	Damp
Cord	10 FT, Black, SVT
Socket	1, Type A - E26
Suggested Bulb Type	G30
Maximum Wattage	100
Voltage	110-120 V

### SHIPPING

Product Weight	28.351 lbs
Gross Weight 1	39.022 lbs
Shipping Box 1	W: 10 in x D: 20.5 in x H: 20.5 in

### ADDITIONAL INFO

Features	Assembly Required
----------	-------------------

### CONTRACT

Contract Suitability	Contract Suitable As Is
----------------------	-------------------------

### COMPONENTS

Pipe or Chain Included	(1) 3", (1) 6", (2) 12"
------------------------	-------------------------

### ADDITIONAL PARTS AVAILABLE

PIPE-452	(1) 3", (1) 6", (1) 12"
----------	-------------------------